

**Series 2, fully-integrated dishwasher,  
60 cm  
SMV2ITX18G**



SGZ0BI02	decorative strips stainless steel 81,5cm
SGZ1010	inlet and outlet hose extension
SGZ8BI00	Connection rail for divided furniture
SMZ2056	Attachment door, stainless steel
SMZ5003	Retractable hinge f. high corpus dimens.
SMZ5300	GlassSecure Tray

**Connected dishwasher with noise reduction at any time via the Home Connect App.**

- **Home Connect:** home appliances with smart connectivity for an easier everyday life.
- **Extra Dry:** extra drying option for difficult-to-dry loads.
- **Silence on demand:** up to 30 min noise reduction at any time via the Home Connect App.
- **InfoLight:** a red infolight on the floor indicates whether the dishwasher is switched on or off.
- **Favourite function:** personalized function by just one touch.

Energy Efficiency Class:	..... E
Energy Consumption for 100 cycles Eco Programme:	..... 92 kWh
Maximum number of place settings:	..... 12
The water consumption of the eco programme in liters per cycle:	10.5 l
Programme duration:	..... 4:30 h
Airborne acoustical noise emissions :	..... 48 dB(A) re 1pW
Airborne acoustical noise emission class:	..... C
Built-in / Free-standing:	..... Built-in
Height of removable worktop:	..... 0 mm
Dimensions of the product (HxWxD):	..... 815 x 598 x 550 mm
Required niche size for installation (HxWxD):	..... 815-875 x 600 x 550 mm
Depth with open door 90 degree:	..... 1150 mm
Adjustable feet:	..... Yes - all from front
Maximum adjustability feet:	..... 60 mm
Adjustable plinth:	..... Both horizontal and vertical
Net weight:	..... 31.1 kg
Gross weight:	..... 33.2 kg
Connection rating:	..... 2400 W
Fuse protection:	..... 10 A
Voltage:	..... 220-240 V
Frequency:	..... 50; 60 Hz
Length electrical supply cord:	..... 175.0 cm
Plug type:	..... GB plug
Length inlet hose:	..... 165 cm
Length outlet hose:	..... 190 cm
EAN code:	..... 4242005275069
Installation typology:	..... Integrated



## Series 2, fully-integrated dishwasher, 60 cm SMV2ITX18G

<sup>3</sup> Water consumption in litres per cycle (in programme Eco 50 °C)

### Connected dishwasher with noise reduction at any time via the Home Connect App.

---

#### New for 2021

#### Performance

- Energy Efficiency Class<sup>1</sup>: E
- Energy<sup>2</sup> / Water<sup>3</sup>: 92 kWh / 10.5 litres
- Capacity: 12 place settings
- Programme duration<sup>4</sup>: 4:30 (h:min)
- Noise level: 48 dB(A) re 1 pW
- Noise Efficiency Class: C

#### Programmes / functions

- 5 programmes: Eco 50 °C, Auto 45-65°, Intensive 70 °C, Express 65°, Favourite
- Default favourite programme: Pre-Rinse
- 4 special options: Remote Start, Extra Dry, Half Load, SpeedPerfect
- Machine Care
- Silence on Demand (via app)

#### Flexible design elements

- Normal baskets
- Low friction wheels on lower basket
- Rack Stopper to prevent derailing of bottom basket
- Cutlery basket in lower rack
- Upper rack cup shelf
- Glass holder in top basket

#### Innovations and technology

- Home Connect ready on WLAN
- DosageAssist detergent dispenser
- EcoSilence BLDC drive
- Automatic detergent detection
- AquaSensor III
- AquaMix - Glass protection system

#### Design features

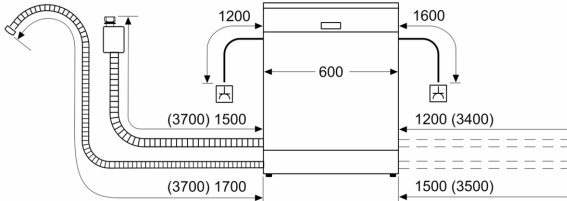
- Push button top edge controls
- InfoLight (Red) - Light projection on the floor
- Time delay (3, 6 or 9 hours)
- AquaStop: Bosch's warranty in case of water damage - for the lifetime of the appliance. Please find warranty terms under <https://www.bosch-home.co.uk/customer-service/care-protection-and-parts/additional-warranties>
- Self cleaning filter system with 3 piece corrugated filter
- Large item spray head, incl. Steam protection for worktop
- Stainless steel/Polinox interior
- Dimensions (HxWxD): 81.5 x 59.8 x 55cm

<sup>1</sup> Scale of Energy Efficiency Classes from A to G

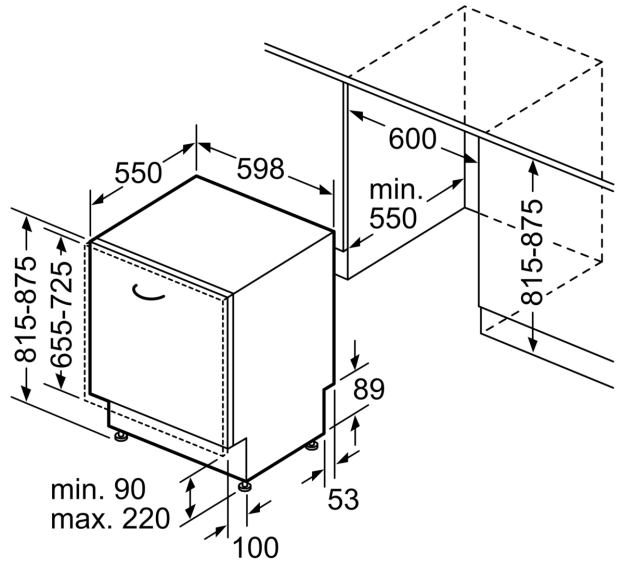
<sup>2</sup> Energy consumption in kWh per 100 cycles (in programme Eco 50 °C)

**Series 2, fully-integrated dishwasher,  
60 cm  
SMV2ITX18G**

measurements in mm



⏏ socket  
( ) values with extension kit



measurements in mm