

**Serie | 2, fully-integrated dishwasher,
60 cm
SMV24AX00G**



A⁺



Optional accessories

SMZ5002 : Silver polishing cassette

SMZ5003 : Retractable hinge f. high corpus dimens.

Silent operation in the background of your home.

- **ExtraDry:** extra drying option for difficult-to-dry loads.
- **Height Adjustable Top Basket:** offers extra space, especially for tall dishes.
- **InfoLight:** a red infolight on the floor indicates whether the dishwasher is switched on or off.
- **AquaStop:** 100% lifetime warranty for water damages guaranteed.
- **Glass protection:** for gentle care of your glasses and delicate dishes.

Technical Data

Water consumption (l) :	11.7
Built-in / Free-standing :	Built-in
Height of removable worktop (mm) :	0
Required niche size for installation (HxWxD) :	815-875 x 600 x 550
Depth with open door 90 degree (mm) :	1150
Adjustable feet :	Yes - front only
Maximum adjustability feet (mm) :	60
Net weight (kg) :	29.213
Gross weight (kg) :	31.0
Connection Rating (W) :	2400
Current (A) :	10
Voltage (V) :	220-240
Frequency (Hz) :	50; 60
Length electrical supply cord (cm) :	175
Plug type :	GB plug
Length inlet hose (cm) :	165
Length outlet hose (cm) :	190
EAN code :	4242005027910
Number of place settings :	12
Energy efficiency class (2010/30/EC) :	A+
Energy consumption annual (kWh/annum) - NEW (2010/30/EC) :	290.00
Energy consumption (kWh) :	1.02
Power consumption in left-on mode (W) - NEW (2010/30/EC) :	0.10
Power consumption in off-mode (W) - NEW (2010/30/EC) :	0.10
Water consumption annual (l/annum) - NEW (2010/30/EC) :	3300
Drying performance :	A
Reference programme :	Eco
Total cycle time of reference programme (min) :	210
Noise level (dB(A) re 1 pW) :	52
Installation typology :	Full-integrated



Serie | 2, fully-integrated dishwasher, 60 cm SMV24AX00G

Silent operation in the background of your home.

Performance

- Energy Efficiency Class: A+ (on an Energy Efficiency Class scale from A+++ to D)
- Capacity: 12 place settings
- Energy consumption in programme Eco 50 °C: 290 kWh per year, based on 280 standard cleaning cycles using cold water fill and the consumption of the low power modes. Actual energy consumption will depend on how the appliance is used.
- Water consumption in Eco 50 programme: 3300 litres per year, based on 280 standard cleaning cycles
- Programme time in Eco 50 programme: 210 minutes
- A rated performance for washing and A for drying
- Noise level dB (A) re 1pW: 52 dB
- Energy consumption in Eco 50 programme: 1.02 kWh
- Water consumption in Eco 50 programme: 11.7 litres

Programmes/functions

- 4 programmes: Intensive 70 °C, Normal 65 °C, Eco 50 °C, Quick 45 °C
- 2 special options: VarioSpeed, Extra Dry
- 4 temperatures

Flexible design elements

- Vario basket system
- Height adjustable top basket
- Silver baskets
- 2 foldable plate racks in bottom basket
- 2 foldable cup shelves in top basket
- Cutlery basket in lower rack

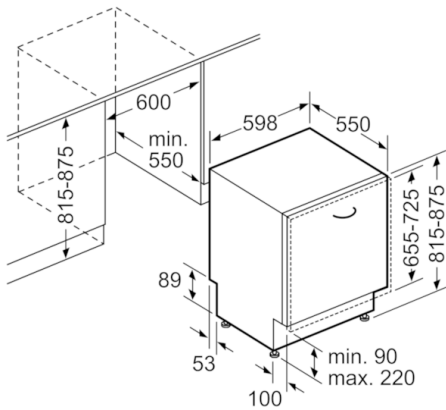
Innovations and technology

- Residual heat drying system
- DosageAssist detergent dispenser
- Automatic detergent detection
- ActiveWater hydraulic water system
- EcoSilence BLDC drive
- Load Sensor
- AquaMix - Glass protection system
- AquaStop anti flood device with guarantee
- Curved spray arms

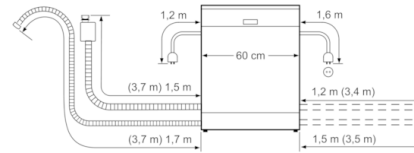
Design features

- Push button top edge controls
- Acoustic end of cycle indicator, water inlet indicator
- Red Info light
- Child safety - Childproof door lock.
- Push button top edge controls
- Stainless steel/Polinox interior
- Display colour: Red LED indicators
- LED salt refill indicator, LED rinse aid refill indicator
- Alternating spray arms
- Child safety - Childproof door lock.
- Large item spray head, steam protection plate
- Self cleaning filter system with 3 piece corrugated filter
- Acoustic end of cycle indicator
- Front-adjustable rear foot
- Dimensions (HxWxD): 81.5 x 59.8 x 55cm
- Efficiency information relates to the Eco 50 programme. This programme is suitable for cleaning normally soiled tableware and is the most efficient programme in terms of combined energy and water consumption.

**Serie | 2, fully-integrated dishwasher, 60 cm
SMV24AX00G**



measurements in mm



() Werte mit Verlängerungssatz