

**Series 4, fully-integrated dishwasher,  
60 cm, Variable hinge for special  
installation situations  
SMH4HVX00G**



**Optional accessories**

SGZ0BI02	decorative strips stainless steel 81,5cm
SMZ5100	Vario-cutlery basket
SMZ5300	GlassSecure Tray
SGZ0CL01	door lock mechanical, straight
SGZ1010	inlet and outlet hose extension
SGZ8BI00	Connection rail for divided furniture

**Flexible loading and smart remote control  
of your VarioHinge dishwasher via the  
Home Connect app. VarioHinge the  
perfect solution for installations with low  
plinth heights and high built-in situations.**

- **A perfect design match thanks to Vario Hinge. Leaving no gaps even in kitchens with low plinth heights and high built-in solutions.**
- **Extra Dry:** extra drying option for difficult-to-dry loads.
- **InfoLight:** a red light on the floor indicates whether the dishwasher is switched on or off.
- **VarioFlex-baskets and VarioDrawer:** enhanced flexibility options with more space on all levels.
- **Home Connect:** home appliances with smart connectivity for an easier everyday life.

**Technical Data**

Energy Efficiency Class <sup>1</sup> :	.....D
Energy Consumption for 100 cycles Eco Programme <sup>2</sup> :	.... 85 kWh/100 cycles
Maximum number of place settings:	..... 14
The water consumption of the eco programme in liters per cycle:	9.0 l
Programme duration <sup>3</sup> :	..... 4:30 h
Airborne acoustical noise emissions :	.....46 dB(A) re 1pW
Airborne acoustical noise emission class:	.....C
Built-in / Free-standing:	..... Built-in
Height of removable worktop:	..... 0 mm
Required niche size for installation (HxWxD):	.... 815-875 x 600 x 550 mm
Depth with open door 90 degree:	..... 1150 mm
Adjustable feet:	..... Yes - all from front
Maximum adjustability feet:	..... 60 mm
Adjustable plinth:	..... Both horizontal and vertical
Net weight:	..... 35.0 kg
Gross weight:	..... 36.8 kg
Connection rating:	..... 2400 W
Fuse protection:	..... 10 A
Voltage:	..... 220-240 V
Frequency:	..... 50; 60 Hz
Length electrical supply cord:	..... 175 cm
Plug type:	..... GB plug
Length inlet hose:	..... 165 cm
Length outlet hose:	..... 190 cm
EAN code:	..... 4242005470358
Installation typology:	..... Integrated



<sup>1</sup> Scale of Energy Efficiency Classes from A to G  
<sup>2</sup> Energy consumption in kWh per 100 cycles (in programme Eco 50 °C)  
<sup>3</sup> Duration of programme Eco 50 °C

## Series 4, fully-integrated dishwasher, 60 cm, Variable hinge for special installation situations SMH4HVX00G

### Flexible loading and smart remote control of your VarioHinge dishwasher via the Home Connect app. VarioHinge the perfect solution for installations with low plinth heights and high built-in situations.

#### Performance

- Energy Efficiency Class<sup>1</sup>: D
- Energy<sup>2</sup> / Water<sup>3</sup>: 85 kWh / 9 litres
- Capacity: 14 place settings
- Programme duration<sup>4</sup>: 4:30 (h:min)
- Noise level: 46 dB(A) re 1 pW
- Noise Efficiency Class: C

#### Programmes / functions

- 6 programmes: Eco 50 °C, Auto 45-65 °C, Intensive 70 °C, Express 65°, Glass 40 °C, Favourite
- Default favourite programme: Pre-Rinse
- 4 special options: Remote Start, Extra Dry, Half Load, SpeedPerfect+
- Add-On functions via Home Connect app: Hygiene+, Silence on Demand
- Machine Care

#### Flexible design elements

- Vario Flex baskets
- VarioDrawer - loading of cutlery on 3rd level
- 3 stage Rackmatic height-adjustable top basket
- Low friction wheels on lower basket
- Rack Stopper to prevent derailing of bottom basket
- 2 foldable plate racks in top basket
- 4 foldable plate racks in bottom basket
- Upper rack cup shelf

#### Innovations and technology

- Home Connect ready on WLAN
- Heat exchanger - Hygienic and efficient drying
- DosageAssist detergent dispenser
- EcoSilence BLDC drive
- Automatic detergent detection
- AquaSensor III
- AquaMix - Glass protection system

#### Design features

- VarioHinge 50mm
- Push button top edge controls
- InfoLight (Red) - Light projection on the floor
- Time delay (3, 6 or 24 hours)
- Acoustic end of cycle indicator
- AquaStop: Bosch's warranty in case of water damage - for the lifetime of the appliance. Please find warranty terms under <https://www.bosch-home.co.uk/customer-service/care-protection-and-part>

s/additional-warranties

- incl. Steam protection for worktop
- Self-cleaning filter system with 3 piece corrugated filter
- Stainless steel/Polinox interior
- Dimensions (HxWxD): 81.5 x 59.8 x 55cm

<sup>1</sup> Scale of Energy Efficiency Classes from A to G

<sup>2</sup> Energy consumption in kWh per 100 cycles (in programme Eco 50 °C)

<sup>3</sup> Water consumption in litres per cycle (in programme Eco 50 °C)

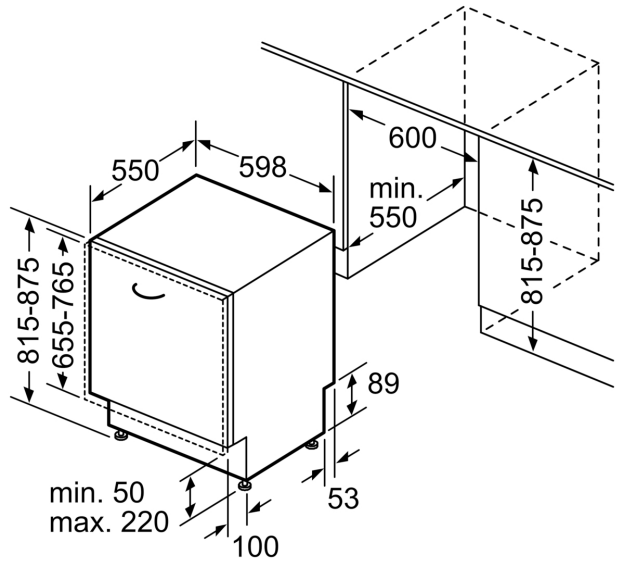
<sup>4</sup> Duration of programme Eco 50 °C

**Series 4, fully-integrated dishwasher,  
60 cm, Variable hinge for special  
installation situations  
SMH4HVX00G**

measurements in mm



⚡ socket  
( ) values with extension kit



measurements in mm