

**Series 6, fully-integrated dishwasher,  
60 cm  
SMD6TCX00E**



**A Rated energy dishwasher. Delivering great performance and perfect results with no compromises, thanks to the innovative High Efficiency Energy Saving System.**

- **Energy Label A:** Our most energy-efficient dishwashers
- **Home Connect:** home appliances with smart connectivity for an easier everyday life.
- **PerfectDry:** perfect drying results using less energy – even with hard-to-dry items.
- **Flex baskets:** flexible and practical solution for easy loading.
- **InfoLight:** a red infolight on the floor indicates whether the dishwasher is switched on or off.

- SGZ0BI01 decorative strips stainless steel 81,5cm
- SGZ1010 inlet and outlet hose extention
- SGZ8BI00 Connection rail for divided furniture
- SMZ1051EU Mains cable with EU-Plug 5m
- SMZ2014 Rack insert for stemware dishwasher
- SMZ2056 Attachment door, stainless steel
- SMZ5003 Retractable hinge f. high corpus dimens.
- SMZ5035 Decor conversion kit, stainless steel
- SMZ5100 Vario-cutlery basket
- SMZ5300 GlassSecure Tray

Energy Efficiency Class: ..... A  
 Energy Consumption for 100 cycles Eco Programme: ..... 54 kWh  
 Maximum number of place settings: ..... 14  
 The water consumption of the eco programme in liters per cycle: 9.5 l  
 Programme duration: ..... 4:55 h  
 Airborne acoustical noise emissions : .....44 dB(A) re 1pW  
 Airborne acoustical noise emission class: .....B  
 Built-in / Free-standing: ..... Built-in  
 Height of removable worktop: ..... 0 mm  
 Dimensions of the product (HxWxD): .....815 x 598 x 550 mm  
 Required niche size for installation (HxWxD): .....815-875 x 600 x 550 mm  
 Depth with open door 90 degree: ..... 1150 mm  
 Adjustable feet: ..... Yes - all from front  
 Maximum adjustability feet: ..... 60 mm  
 Adjustable plinth: ..... Both horizontal and vertical  
 Net weight: .....43.1 kg  
 Gross weight: ..... 45.0 kg  
 Connection rating: ..... 2400 W  
 Fuse protection: .....10 A  
 Voltage: ..... 220-240 V  
 Frequency: ..... 50; 60 Hz  
 Repair index: .....9.0  
 Length electrical supply cord: ..... 175.0 cm  
 Plug type: ..... Gardy plug w/ earthing  
 Length inlet hose: ..... 165 cm  
 Length outlet hose: ..... 190 cm  
 EAN code: .....4242005278954  
 Installation typology: ..... Integrated



## Series 6, fully-integrated dishwasher, 60 cm SMD6TCX00E

**A Rated energy dishwasher. Delivering great performance and perfect results with no compromises, thanks to the innovative High Efficiency Energy Saving System.**

### New for 2021

#### Performance

- Energy Efficiency Class<sup>1</sup>: A
- Energy<sup>2</sup> / Water<sup>3</sup>: 54 kWh / 9.5 litres
- Capacity: 14 place settings
- Programme duration<sup>4</sup>: 4:55 (h:min)
- Noise level: 44 dB(A) re 1 pW
- Noise Efficiency Class: B
- Noise level (silence programme): 42 dB(A) re 1 pW

#### Programmes / functions

- 6 programmes: Eco 50 °C, Auto 45-65 °C, Intensive 70 °C, Express 60 °C, Silence 50 °C, Favourite
- Default favourite programme: Pre-Rinse
- 4 special options: Remote Start, Extra Dry, Half Load, SpeedPerfect+
- Machine Care
- Silence on Demand (via app)

#### Flexible design elements

- Flex basket system
- VarioDrawer - loading of cutlery on 3rd level
- 3 stage Rackmatic height-adjustable top basket
- Low friction wheels on lower basket
- Rack Stopper to prevent derailing of bottom basket
- 2 foldable plate racks in top basket
- 2 foldable plate racks in bottom basket
- Upper rack cup shelf
- Lower rack cup shelf

#### Innovations and technology

- High Efficiency Energy Saving System
- Home Connect ready on WLAN
- Zeolith - Energy efficient and perfect drying results
- EfficientDry and Heat Exchanger
- DosageAssist detergent dispenser
- EcoSilence BLDC drive
- Automatic detergent detection
- AquaMix - Glass protection system

#### Design features

- Push button top edge controls
- InfoLight (Red) - Light projection on the floor
- DoorOpen Assist - perfectly designed for kitchens without handles
- Acoustic end of cycle indicator, Time remaining indicator (min), water inlet indicator

- Time delay (3, 6 or 24 hours)
- ChildLock - double push to open
- AquaStop: Bosch's warranty in case of water damage - for the lifetime of the appliance. Please find warranty terms under <https://www.bosch-home.co.uk/customer-service/care-protection-and-parts/additional-warranties>
- Self-cleaning filter system with 3 piece corrugated filter
- steam protection plate
- Stainless steel interior
- Dimensions (HxWxD): 81.5 x 59.8 x 55cm

<sup>1</sup> Scale of Energy Efficiency Classes from A to G

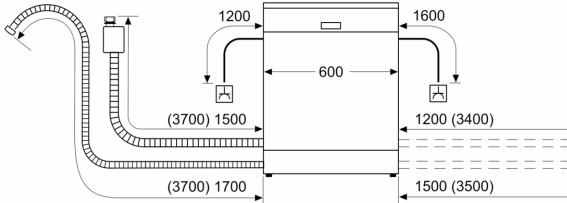
<sup>2</sup> Energy consumption in kWh per 100 cycles (in programme Eco 50 °C)

<sup>3</sup> Water consumption in litres per cycle (in programme Eco 50 °C)

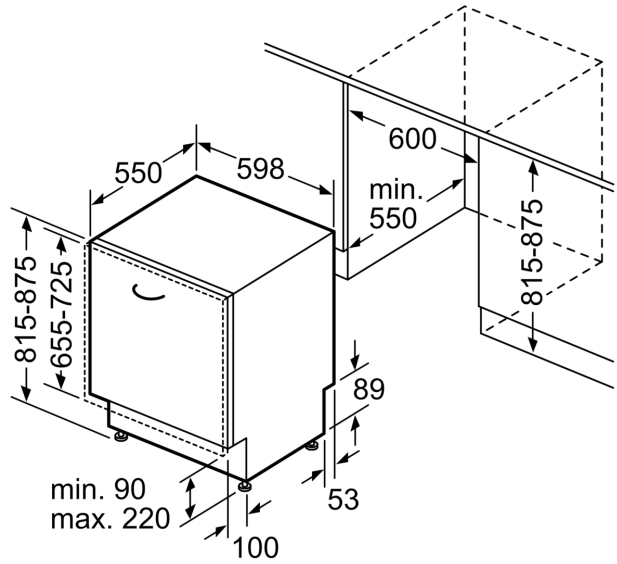
<sup>4</sup> Duration of programme Eco 50 °C

**Series 6, fully-integrated dishwasher,  
60 cm  
SMD6TCX00E**

measurements in mm



socket  
( ) values with extension kit



measurements in mm