

**Series 4, fully-integrated dishwasher,
60 cm, ,
SBH4HVX31G**



Flexible loading and smart remote control of your VarioHinge dishwasher via the Home Connect app. VarioHinge the perfect solution for installations with low plinth heights and high built-in situations.

- **Home Connect:** home appliances with smart connectivity for an easier everyday life.
- **A perfect design match thanks to Vario Hinge. Leaving no gaps even in kitchens with low plinth heights and high built-in solutions.**
- **Extra Dry:** extra drying option for difficult-to-dry loads.
- **Vario Drawer:** 3rd level loading for cutlery and smaller kitchen utensils.
- **InfoLight:** a red light on the floor indicates whether the dishwasher is switched on or off.

- SGZ0BI22 decorative strips stainless steel 86,5cm
- SGZ1010 inlet and outlet hose extention
- SGZ8BI00 Connection rail for divided furniture
- SMZ2014 Rack insert for stemware dishwasher
- SMZ5100 Vario-cutlery basket
- SMZ5300 GlassSecure Tray

Energy Efficiency Class: E
 Energy Consumption for 100 cycles Eco Programme: 94 kWh
 Maximum number of place settings: 13
 The water consumption of the eco programme in liters per cycle: 9.5 l
 Programme duration: 3:45 h
 Airborne acoustical noise emissions :46 dB(A) re 1pW
 Airborne acoustical noise emission class:C
 Built-in / Free-standing: Built-in
 Height of removable worktop: 0 mm
 Dimensions of the product (HxWxD):865 x 598 x 550 mm
 Required niche size for installation (HxWxD):865-925 x 600 x 550 mm
 Depth with open door 90 degree: 1200 mm
 Adjustable feet: Yes - all from front
 Maximum adjustability feet: 60 mm
 Adjustable plinth: Both horizontal and vertical
 Net weight: 36.0 kg
 Gross weight: 38.2 kg
 Connection rating: 2400 W
 Fuse protection: 10 A
 Voltage: 220-240 V
 Frequency: 50; 60 Hz
 Length electrical supply cord: 175.0 cm
 Plug type: GB plug
 Length inlet hose: 165 cm
 Length outlet hose: 190 cm
 EAN code: 4242005275021
 Installation typology: Integrated



Series 4, fully-integrated dishwasher, 60 cm, , SBH4HVX31G

Flexible loading and smart remote control of your VarioHinge dishwasher via the Home Connect app. VarioHinge the perfect solution for installations with low plinth heights and high built-in situations.

- VarioHinge 50mm

New for 2021

Performance

- Energy Efficiency Class¹: E
- Energy² / Water³: 94 kWh / 9.5 litres
- Capacity: 13 place settings
- Programme duration⁴: 3:45 (h:min)
- Noise level: 46 dB(A) re 1 pW
- Noise Efficiency Class: C
- Noise level (silence programme): 44 dB(A) re 1 pW

Programmes / functions

- 6 programmes: Eco 50 °C, Auto 45-65 °C, Intensive 70 °C, Express 65°, Silence 50 °C, Favourite
- Default favourite programme: Pre-Rinse
- 4 special options: Remote Start, Extra Dry, Half Load, SpeedPerfect+
- Machine Care
- Silence on Demand (via app)

Flexible design elements

- Vario Flex baskets
- VarioDrawer - loading of cutlery on 3rd level
- 3 stage Rackmatic height-adjustable top basket
- Low friction wheels on lower basket
- Rack Stopper to prevent derailing of bottom basket
- 2 foldable plate racks in top basket
- 4 foldable plate racks in bottom basket
- Upper rack cup shelf

Innovations and technology

- Home Connect ready on WLAN
- Heat exchanger.
- DosageAssist detergent dispenser
- EcoSilence BLDC drive
- Automatic detergent detection
- AquaSensor III
- AquaMix - Glass protection system

Design features

- Push button top edge controls
- InfoLight (Red) - Light projection on the floor
- Acoustic end of cycle indicator, Time remaining indicator (min), water inlet indicator
- Time delay (3, 6 or 24 hours)
- AquaStop: Bosch's warranty in case of water damage - for the

lifetime of the appliance. Please find warranty terms under <https://www.bosch-home.co.uk/customer-service/care-protection-and-part-s/additional-warranties>

- Self-cleaning filter system with 3 piece corrugated filter
- Large item spray head, incl. Steam protection for worktop
- Stainless steel/Polinox interior
- Dimensions (HxWxD): 86.5 x 59.8 x 55cm

¹ Scale of Energy Efficiency Classes from A to G

² Energy consumption in kWh per 100 cycles (in programme Eco 50 °C)

³ Water consumption in litres per cycle (in programme Eco 50 °C)

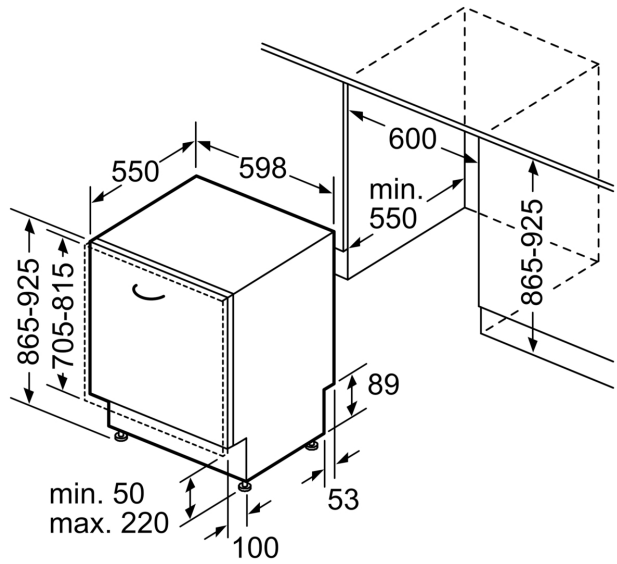
⁴ Duration of programme Eco 50 °C

**Series 4, fully-integrated dishwasher,
60 cm, ,
SBH4HVX31G**

measurements in mm



⚡ socket
() values with extension kit



measurements in mm