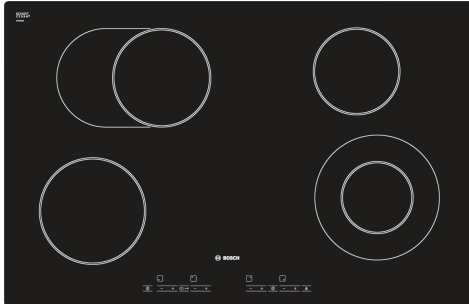


Electric hob, 80 cm, Black, PKN811E14E




- **RoasterZone:** An extra cooking zone you can switch on for larger cookware e.g. roasters.
- **The handy ChildLock locks the control panel to prevent accidental changes in settings.**
- **17 Power Levels for Each Cooking Zone**
- **TouchSelect: Selection of the desired cooking zone and easy setting of the desired power level.**

Product name/family: Cooking zone ceramic
 Built-in / Free-standing: Built-in
 Energy input: Electric
 Number of cooking zones: 4
 Type of control setting devices: TouchControl Basic
 Min. required niche size for installation (HxWxD): 45 x 750-750 x 490-490 mm
 Width of the appliance: 802 mm
 Dimensions: 45x802x522 mm
 Dimensions of the packed product (HxWxD): ... 100 x 1220 x 600 mm
 Net weight: 10.8 kg
 Gross weight: 12.5 kg
 Residual heat indicator: Separate
 Location of control panel: Front
 Basic surface material: Ceramic glass
 Color of surface: Black
 EAN code: 4242002477336
 Voltage: 220-240 V
 Frequency: 50; 60 Hz

HEZ390010 Stainless steel roaster
 HEZ390090 Wok Set consisting of 3 Items
 HEZ392800 Intermediate bottom





Electric hob, 80 cm, Black, PKN811E14E

Key Information

- Electronic control
- Digital display
- Safety cut-out switch-off
- Control panel lock

Design

- 802 mm
- Front controls
- Touch control
- Frameless design

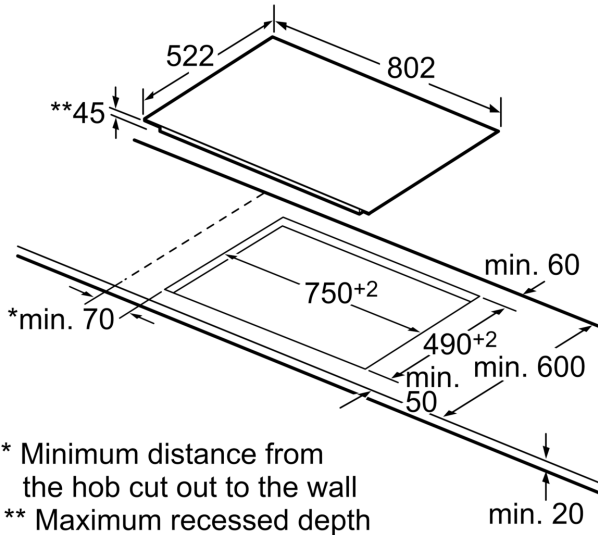
Features

- Variable 17-stage power settings for each zone
- Main on/off switch
- Power on indicator via on/off switch
- 2 stage residual heat indicator for each zone
- Automatic boil start

Performance/technical information

- 4 zone Quick-Therm hob
- 2 dual/extendable zones

**Electric hob, 80 cm, Black,
PKN811E14E**



- * Minimum distance from the hob cut out to the wall
- ** Maximum recessed depth

All measurements in mm