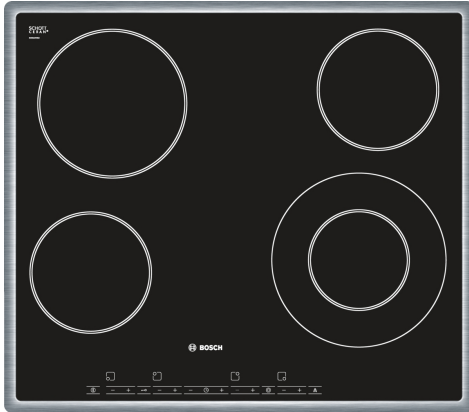


Electric hob, 60 cm, Black, PKF645T14E



- **Steel frame:** the flat stainless steel frame around the hob is perfect for integrating into existing countertop cutouts.
- **Timer with switch-off function:** Turns off the assigned cooking zone after the set time.
- **The handy ChildLock locks the control panel to prevent accidental changes in settings.**
- **17 Power Levels for Each Cooking Zone**

Product name/family: Cooking zone ceramic
 Built-in / Free-standing: Built-in
 Energy input: Electric
 Number of cooking zones: 4
 Required niche size for installation (HxWxD): 47 x 560-560 x 490-490 mm
 Width of the appliance: 575 mm
 Dimensions: 47x575x505 mm
 Dimensions of the packed product (HxWxD): 100 x 750 x 590 mm
 Net weight: 7.4 kg
 Gross weight: 8.2 kg
 Residual heat indicator: Separate
 Location of control panel: Front
 Basic surface material: Ceramic glass
 Color of surface: Black, Stainless steel
 Color of frame: Stainless steel
 EAN code: 4242002475059
 Voltage: 220-240 V
 Frequency: 50; 60 Hz

HEZ390090 Wok Set consisting of 3 Items
 HEZ5920 Intermediate bottom, 60 cm (Touch)



Electric hob, 60 cm, Black, PKF645T14E

Key Information

- Electronic control
- Digital display
- Safety cut-out switch-off
- Control panel lock

Design

- 575 mm
- Front controls
- Touch control
- All around trim

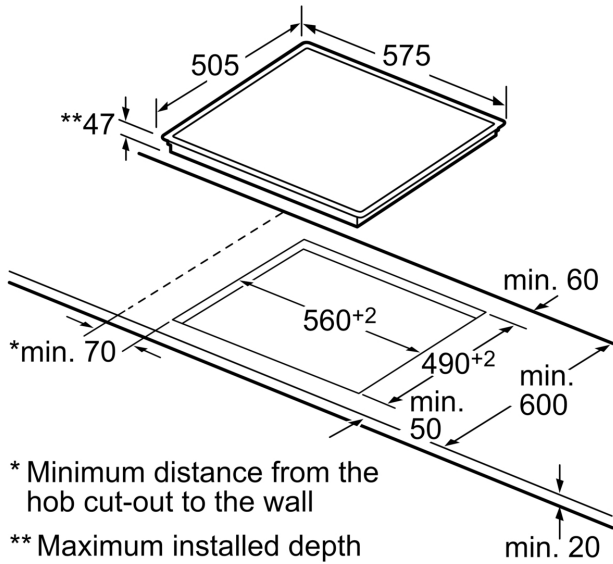
Features

- Variable 17-stage power settings for each zone
- Main on/off switch
- Power on indicator via on/off switch
- Timer for all zones
- 2 stage residual heat indicator for each zone
- Automatic boil start

Performance/technical information

- 4 zone Quick-Therm hob
- 1 dual/extendable zone

**Electric hob, 60 cm, Black,
PKF645T14E**



* Minimum distance from the hob cut-out to the wall

** Maximum installed depth

All measurements in mm