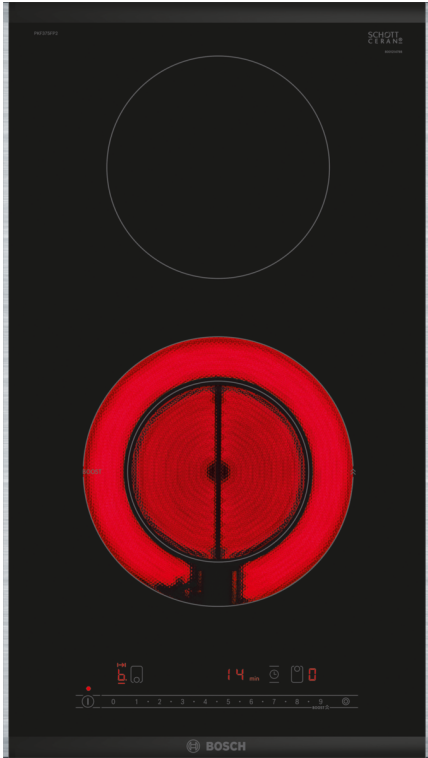


Series 6, Domino hob, electric, 30 cm, Black, PKF375FP2E



- HEZ32WA00 Wireless food thermometer
- HEZ390090 Wok Set consisting of 3 Items
- HEZ394301 Connecting strip

Ceramic domino hob: tough and easy-to-clean glass surfaces and good looks for a smart addition to your home.

- **The 18 cm cooking zone - extendable cooking zone.**
- **ComfortProfil: Elegant, appealing design with bevelled front and metal strips on the side.**
- **PowerBoost: up to 20% more energy when cooking on your electric hob.**
- **If you turn off the cooktop it saves the last selected setting for a short time. If the cooktop is switched of within a short time again the former settings are still available.**
- **Timer with switch-off function: Turns off the assigned cooking zone after the set time.**

Product name/family: Vario/Domino cooking zone cera
 Product name/family: Vario/Domino cooking zone cera
 Built-in / Free-standing: Built-in
 Built-in / Free-standing: Built-in
 Energy input: Electric
 Energy input: Electric
 Number of cooking zones: 2
 Number of cooking zones: 2
 Min. required niche size for installation (HxWxD): 38 x x mm
 Min. required niche size for installation (HxWxD): 38 x x mm
 Width of the appliance: 306 mm
 Width of the appliance: 306 mm
 Dimensions: 38 x 306 x 527 mm
 Dimensions: 38 x 306 x 527 mm
 Dimensions of the packed product (HxWxD): 120 x 380 x 590 mm
 Dimensions of the packed product (HxWxD): 120 x 380 x 590 mm
 Net weight: 4.5 kg
 Net weight: 4.5 kg
 Gross weight: 5.2 kg
 Gross weight: 5.2 kg
 Residual heat indicator: Separate
 Residual heat indicator: Separate
 Location of control panel: Front
 Location of control panel: Front
 Basic surface material: Ceramic glass
 Basic surface material: Ceramic glass
 Color of surface: Black, Alu, brushed
 Color of surface: Black, Alu, brushed
 Length electrical supply cord: 100.0 cm
 Length electrical supply cord: 100.0 cm
 EAN code: 4242005283286
 EAN code: 4242005283286
 Fuse protection: 16 A
 Fuse protection: 16 A
 Voltage: 220-240 V
 Voltage: 220-240 V
 Frequency: 50; 60 Hz
 Frequency: 50; 60 Hz



Series 6, Domino hob, electric, 30 cm, Black, PKF375FP2E

Ceramic domino hob: tough and easy-to-clean glass surfaces and good looks for a smart addition to your home.

Flexibility of cooking zones

- Ring zone double: use regular or larger cookware on the extendable cooking zone.
- Cooking zone middle: 120 mm, 180 mm, 1 KW (max. power 2.3 KW)
- Cooking zone middle: 145 mm, 1.2 KW

Usage convenience

- DirectSelect touch control: directly control the power with imprinted touch bar.
- Variable 17-stage power settings for each zone: precisely adapt the heat with 17 power levels (9 main levels and 8 intermediate levels).
- Timer for all zones
- : switches off the cooking zone at the end of the time set (e.g. for boiled eggs).
- Timer - shows how long the cooktop is in use
- : an alarm sounds at the end of the time set (e.g. for pasta).
- Count up timer per cooktop
- : shows how much time has passed since starting the timer (e.g. for potatoes).

Time saving & efficiency

- PowerBoost in the front zone: boil water more quickly thanks to 20% more energy than at the highest standard level.
- ReStart function: in case of unintentional switch-off, this feature restores all previous settings by switching on the hob again within 4 seconds

Design

- 30 cm: space for 2 pots or pans.
- Profile trim (front facette with side trim)

Safety

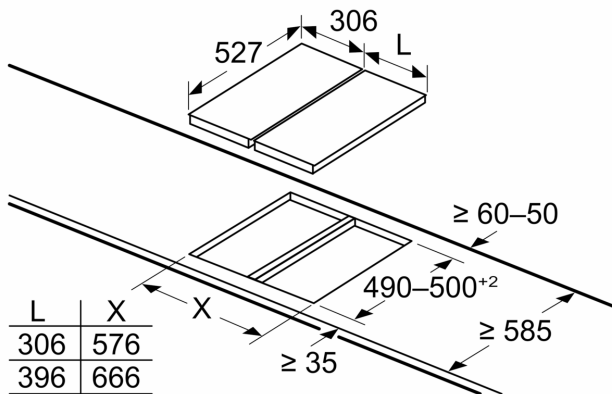
- 2 stage residual heat indicator for each zone: indicates which cooking zones are still hot or warm.
- Control panel lock: prevent unintended activation of the hob.
- Main on/off switch: switch off all cooking zones at the touch of a button.
- Power on indicator light: indicates if the hob is heating.
- Safety cut-out switch-off: for safety reasons, heating stops after a preset time if not used.
- Energy consumption display: shows the electricity consumption of the last cooking process.

Installation

- Dimensions of the product (HxWxD mm): 38 x 306 x 527
- Required niche size for installation (HxWxD mm) : 38 x 270 x (490 - 500)
- Min. worktop thickness: 16 mm
- Connected load: 3.5 KW
- Power cord: 1 m, Cable included

Series 6, Domino hob, electric, 30 cm, Black, PKF375FP2E

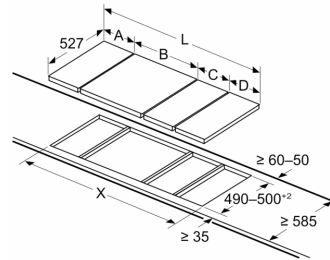
Measurements in mm



L	X
306	576
396	666

If two or more elements are installed right next to one another, one or several installation kits are required (2 elements 1 installation kit, 3 elements 2 installation kits, etc.)

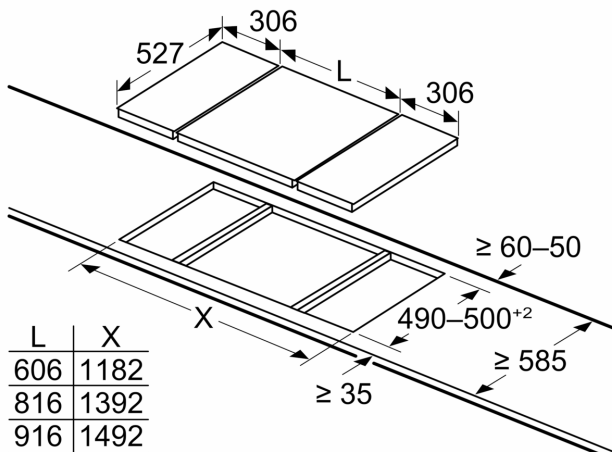
Measurements in mm
Picture for the table Domino combination possibilities with corresponding devices and cutout dimensions



If two or more elements are installed right next to one another, one or several installation kits are required (2 elements 1 installation kit, 3 elements 2 installation kits, etc.)

Cutout dimension (X) depending on the combination (see combination table)

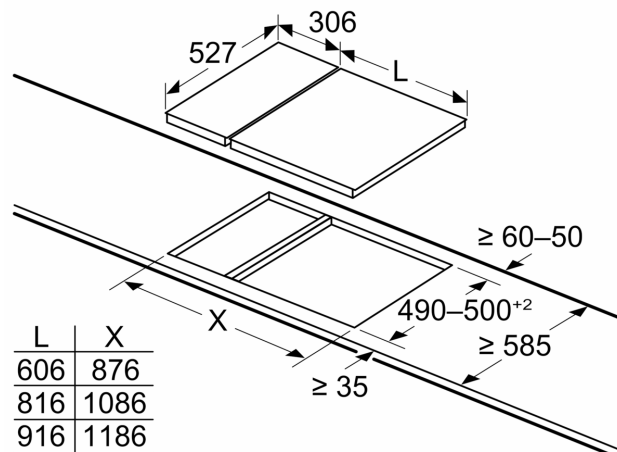
Measurements in mm



L	X
606	1182
816	1392
916	1492

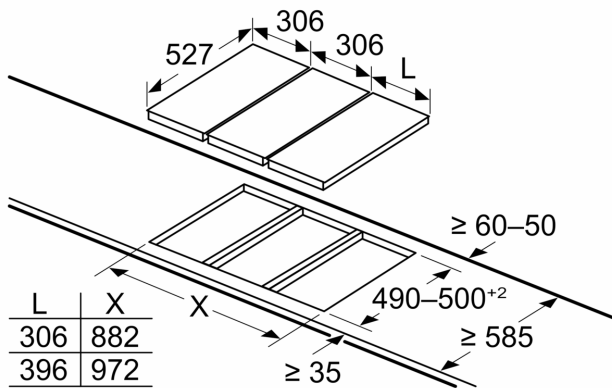
When installing two Domino units right next to a hob, two assembly kits (HEZ394301) are required

Measurements in mm

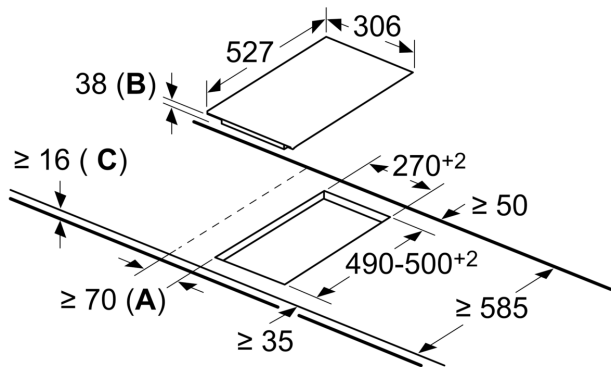


L	X
606	876
816	1086
916	1186

When installing two Domino units right next to a hob, two assembly kits (HEZ394301) are required

Measurements in mm


If two or more elements are installed right next to one another, one or several installation kits are required (2 elements 1 installation kit, 3 elements 2 installation kits, etc.)

measurements in mm


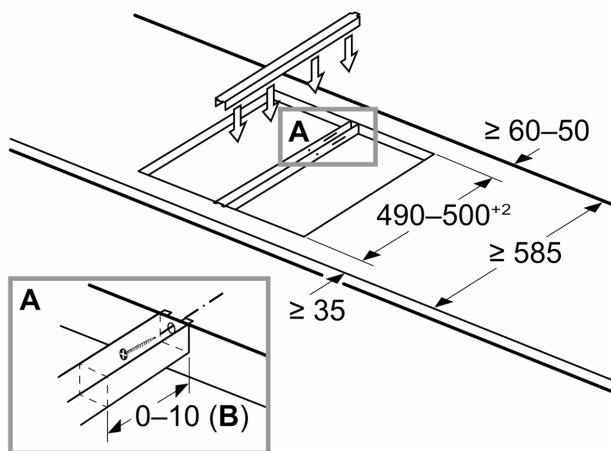
- A:** Minimum distance from the hob cut-out to the wall.
- B:** Recessed depth
- C:** With fitted oven underneath min. 20, possibly more; see space requirements for the oven.

measurements in mm
Domino combination options with corresponding appliance and cut-out dimensions

Width category:
Appliance width:

	A	B	C	D	L	X		
2x30	306	306	-	-	-	-	612	576
1x30, 1x40	306	396	-	-	-	-	702	666
1x30, 1x60	306	606	-	-	-	-	912	876
1x30, 1x70*	306	710	-	-	-	-	1016	980
1x30, 1x80	306	816	-	-	-	-	1122	1086
1x30, 1x90	306	916	-	-	-	-	1222	1186
2x40	396	396	-	-	-	-	792	756
1x40, 1x60	396	606	-	-	-	-	1002	966
1x40, 1x70*	396	710	-	-	-	-	1106	1070
1x40, 1x80	396	816	-	-	-	-	1212	1176
1x40, 1x90	396	916	-	-	-	-	1312	1276
3x30	306	306	306	-	-	-	918	882
2x30, 1x40	306	306	396	-	-	-	1008	972
2x30, 1x60	306	306	606	-	-	-	1218	1182
2x30, 1x70*	306	306	710	-	-	-	1322	1286
2x30, 1x80	306	306	816	-	-	-	1428	1392
2x30, 1x90	306	306	916	-	-	-	1528	1492
1x30, 2x40	306	396	396	-	-	-	1098	1062
1x30, 1x40, 1x60	306	396	606	-	-	-	1308	1272
1x30, 1x40, 1x70*	306	396	710	-	-	-	1412	1376
1x30, 1x40, 1x80	306	396	816	-	-	-	1518	1482
1x30, 1x40, 1x90	306	396	916	-	-	-	1618	1582
2x40, 1x60	396	396	606	-	-	-	1398	1362
4x30	306	306	306	306	-	-	1224	1188
3x30, 1x40	306	306	306	396	-	-	1314	1278
1x30, 1x75	306	750	-	-	-	-	1056	1020
1x40, 1x75	396	750	-	-	-	-	1146	1110
2x30, 1x75	306	306	750	-	-	-	1362	1326
1x30, 1x40, 1x75	306	396	750	-	-	-	1452	1416

* Not possible with 70 cm induction hob

Measurements in mm
Assembly kit (HEZ394301) for Domino


B: Dependent on the cut-out depth