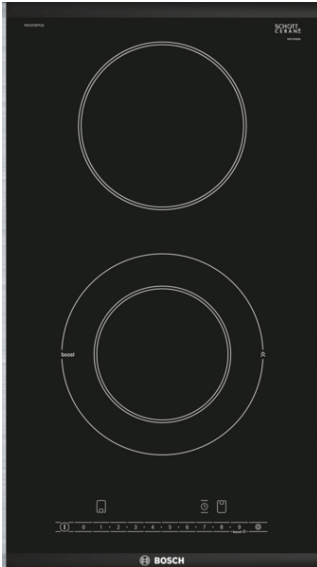


**Series 6, domino hob, electric, 30 cm,
Black,
PKF375FP1E**



Optional accessories

HEZ394301 : Connecting strip

Ceramic domino hob: tough and easy-to-clean glass surfaces and good looks for a smart addition to your home.

- **DirectSelect:** Direct, simple selection of the desired cooking zone, power and additional functions.
- The 18 cm cooking zone - extendable cooking zone.
- **ComfortProfile:** Elegant, appealing design with bevelled front and metal strips on the side.
- **30 cm width:** suitable for combining with other Domino and ComfortProfile hobs.
- **PowerBoost:** up to 20% more energy when cooking on your electric hob.

Technical Data

Product name/family : Vario/Domino cooking zone cera

Product name/family : Vario/Domino cooking zone cera

Built-in / Free-standing : Built-in

Built-in / Free-standing : Built-in

Energy input : Electric

Energy input : Electric

Total number of positions that can be used at the same time : 2

Total number of positions that can be used at the same time : 2

Min. required niche size for installation (HxWxD) : 38 x x mm

Min. required niche size for installation (HxWxD) : 38 x x mm

Width of the appliance : 306 mm

Width of the appliance : 306 mm

Dimensions : 38 x 306 x 527 mm

Dimensions : 38 x 306 x 527 mm

Dimensions of the packed product (HxWxD) : 120 x 375 x 590 mm

Dimensions of the packed product (HxWxD) : 120 x 375 x 590 mm

Net weight : 4.8 kg

Net weight : 4.8 kg

Gross weight : 5.5 kg

Gross weight : 5.5 kg

Residual heat indicator : Separate

Residual heat indicator : Separate

Location of control panel : Hob front

Location of control panel : Hob front

Basic surface material : Ceramic

Basic surface material : Ceramic

Color of surface : Alu, brushed, Black

Color of surface : Alu, brushed, Black

Length electrical supply cord : 100.0 cm

Length electrical supply cord : 100.0 cm

EAN code : 4242002938141

EAN code : 4242002938141

Fuse protection : 16 A

Fuse protection : 16 A

Voltage : 220-240 V

Voltage : 220-240 V

Frequency : 60; 50 Hz

Frequency : 60; 50 Hz



4 242002 938141

Series 6, domino hob, electric, 30 cm, Black, PKF375FP1E

Ceramic domino hob: tough and easy-to-clean glass surfaces and good looks for a smart addition to your home.

Installation

- Dimensions of the product (HxWxD mm): 38 x 306 x 527
- Required niche size for installation (HxWxD mm) : 38 x 270 x (490 - 500)
- Min. worktop thickness: 16 mm
- Connected load: 3.5 KW
- Power cord: 1 m, Cable included

Design

- Profile trim (front facette with side trim)
- 30 cm: space for 2 pots or pans.

Flexibility of cooking zones

- Ring zone double: use regular or larger cookware on the extendable cooking zone.
- Cooking zone middle: 180 mm, 120 mm, 1 KW (max. power 2.3 KW)
- Cooking zone middle: 145 mm, 1.2 KW

Usage convenience

- DirectSelect touch control: directly control the power with imprinted touch bar.
- Variable 17-stage power settings for each zone: precisely adapt the heat with 17 power levels (9 main levels and 8 intermediate levels).
- Timer for all zones
 - : switches off the cooking zone at the end of the time set (e.g. for boiled eggs).
- Timer - shows how long the cooktop is in use
 - : an alarm sounds at the end of the time set (e.g. for pasta).
- Count up timer per cooktop
 - : shows how much time has passed since starting the timer (e.g. for potatoes).

Time saving & efficiency

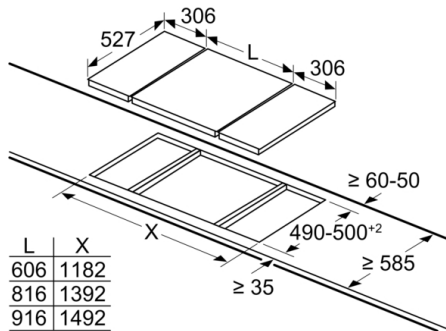
- PowerBoost in the front zone: boil water more quickly thanks to 20% more energy than at the highest standard level.
- ReStart function: in case of unintentional switch-off, this feature restores all previous settings by switching on the hob again within 4 seconds

Safety

- 2 stage residual heat indicator for each zone: indicates which cooking zones are still hot or warm.
- Control panel lock: prevent unintended activation of the hob.
- Main on/off switch: switch off all cooking zones at the touch of a button.
- Power on indicator light: indicates if the hob is heating.
- Safety cut-out switch-off: for safety reasons, heating stops after a preset time if not used (possible to customise).
- Energy consumption display: shows the electricity consumption of the last cooking process.

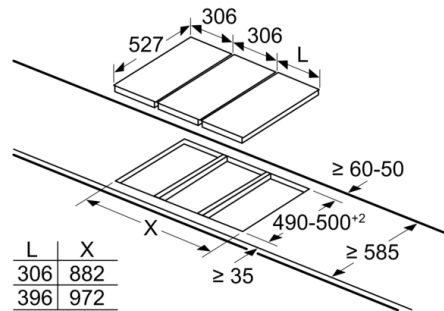
Series 6, domino hob, electric, 30 cm, Black, PKF375FP1E

measurements in mm



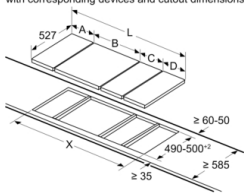
When installing two Domino units right next to a hob, two assembly kits (HEZ394301) are required.

measurements in mm



When installing two or more Domino units side-by-side, one or more assembly kits are required (2 units = 1 assembly kit, 3 units = 2 assembly kits, etc.).

measurements in mm
Picture for the table Domino combination possibilities with corresponding devices and cutout dimensions



If two or more elements are installed right next to one another, one or several installation kits are required (2 elements 1 installation kit, 3 elements 2 installation kits, etc.).

Cutout dimension (X) depending on the combination see table:

measurements in mm

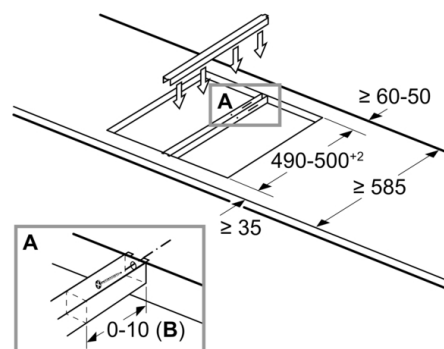
Domino combination options with corresponding appliance and cut-out dimensions

Width category:
Appliance width:

	A	B	C	D	L	X		
2x30	306	306	-	-			612	576
1x30, 1x40	306	396	-	-			702	666
1x30, 1x60	306	606	-	-			912	876
1x30, 1x70*	306	710	-	-			1016	980
1x30, 1x80	306	816	-	-			1122	1086
1x30, 1x90	306	916	-	-			1222	1186
2x40	396	396	-	-			792	756
1x40, 1x60	396	606	-	-			1002	966
1x40, 1x70*	396	710	-	-			1106	1070
1x40, 1x80	396	816	-	-			1212	1176
1x40, 1x90	396	916	-	-			1312	1276
3x30	306	306	306	-			918	882
2x30, 1x40	306	306	396	-			1008	972
2x30, 1x60	306	306	606	-			1218	1182
2x30, 1x70*	306	306	710	-			1322	1286
2x30, 1x80	306	306	816	-			1428	1392
2x30, 1x90	306	306	916	-			1528	1492
1x30, 2x40	306	396	396	-			1098	1062
1x30, 1x40, 1x60	306	396	606	-			1308	1272
1x30, 1x40, 1x70*	306	396	710	-			1412	1376
1x30, 1x40, 1x80	306	396	816	-			1518	1482
1x30, 1x40, 1x90	306	396	916	-			1618	1582
2x40, 1x60	396	396	606	-			1398	1362
4x30	306	306	306	306			1224	1188

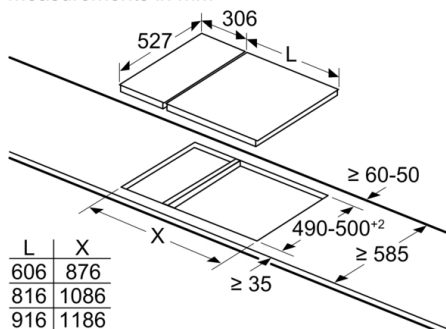
measurements in mm

Assembly kit (HEZ394301) for Domino



B: Dependent on the cut-out depth

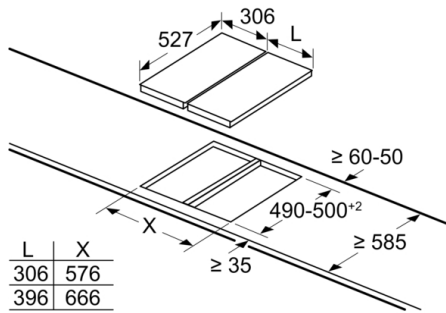
measurements in mm



When installing a Domino unit right next to a hob, an assembly kit (HEZ394301) is required.

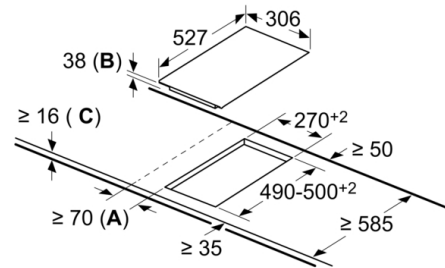
Series 6, domino hob, electric, 30 cm, Black, PKF375FP1E

measurements in mm



When installing two or more Domino units side-by-side, one or more assembly kits are required (2 units = 1 assembly kit, 3 units = 2 assembly kits, etc.).

measurements in mm



- A:** Minimum distance from the hob cut-out to the wall.
- B:** Recessed depth
- C:** With fitted oven underneath min. 20, possibly more; see space requirements for the oven.