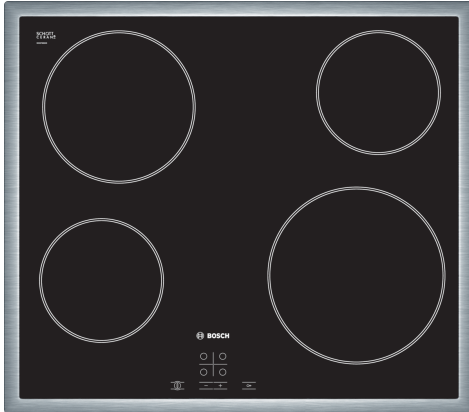


## Serie | 4, electric hob, 60 cm, Black PKE645D17E



- **TouchSelect:** Selection of the desired cooking zone and easy setting of the desired power level.
- **Steel frame:** the flat stainless steel frame around the hob is perfect for integrating into existing countertop cutouts.
- **If you turn off the cooktop it saves the last selected setting for a short time. If the cooktop is switched of within a short time again the former settings are still available.**
- **The handy ChildLock locks the control panel to prevent accidental changes in settings.**
- **Ceramics glass is much more slim and durable with better vertical conduction.**

### Technical Data

Product name/family: ..... Cooking zone ceramic  
 Built-in / Free-standing: ..... Built-in  
 Energy input: ..... Electric  
 Number of cooking zones: ..... 4  
 Min. required niche size for installation (HxWxD): ..... 48 x 560-560 x 490-500 mm  
 Width of the appliance: ..... 583 mm  
 Dimensions: ..... 48 x 583 x 513 mm  
 Dimensions of the packed product (HxWxD): ..... 100 x 750 x 590 mm  
 Net weight: ..... 7.2 kg  
 Gross weight: ..... 8.0 kg  
 Residual heat indicator: ..... Separate  
 Location of control panel: ..... Front  
 Basic surface material: ..... Ceramic glass  
 Color of surface: ..... Black, Stainless steel  
 Color of frame: ..... Stainless steel  
 EAN code: ..... 4242002723938  
 Voltage: ..... 220-240 V  
 Frequency: ..... 50; 60 Hz

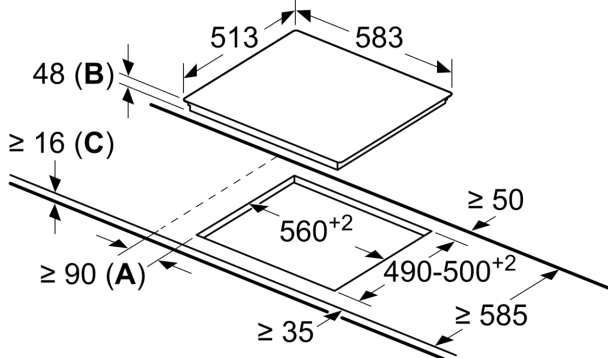
### Optional accessories

HEZ392617 Intermediate bottom  
 HEZ9FE280 Iron pan Ø 18 / 28 cm  
 HEZ9SE030 Set of 2 pots and 1 pan



**Serie | 4, electric hob, 60 cm, Black  
PKE645D17E**

measurements in mm



- A:** Minimum distance from the hob cut-out to the wall.
- B:** Recessed depth
- C:** With fitted oven underneath min. 20, possibly more; see space requirements for the oven.