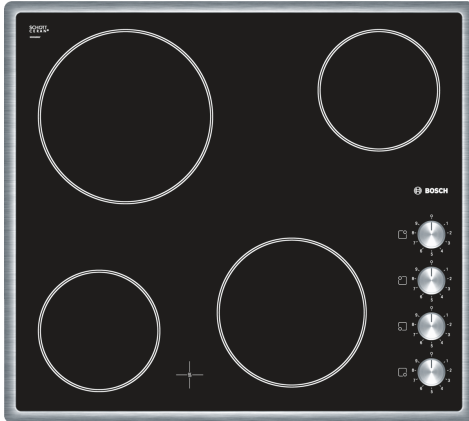


Electric hob, 60 cm, Black, PKE645C14D



- Side control dials for easy power level selection.
- Steel frame: the flat stainless steel frame around the hob is perfect for integrating into existing countertop cutouts.
- Precise Temperature Control for Better Cooking Results
- Residual Heat Indicator - Warns if Cooktop is Warm or Hot

Technical Data

Product name/family: Cooking zone ceramic
 Built-in / Free-standing: Built-in
 Energy input: Electric
 Number of cooking zones: 4
 Min. required niche size for installation (HxWxD): 47 x 560-560 x 500-500 mm
 Width of the appliance: 576 mm
 Dimensions: 47 x 576 x 518 mm
 Dimensions of the packed product (HxWxD): 100 x 750 x 590 mm
 Net weight: 7.7 kg
 Gross weight: 8.5 kg
 Residual heat indicator: Separate
 Location of control panel: Lateral
 Basic surface material: Ceramic glass
 Color of surface: Black, Stainless steel
 Color of frame: Stainless steel
 EAN code: 4242002477534
 Voltage: 220-240 V
 Frequency: 60; 50 Hz

Optional accessories

HEZ390090 Wok Set consisting of 3 Items
 HEZ5910 Accessories electric cookers/ovens



Electric hob, 60 cm, Black, PKE645C14D

Design

- 576 mm
- Side controls
- Controls dials with metal cap
- Standard control dials
- All around trim

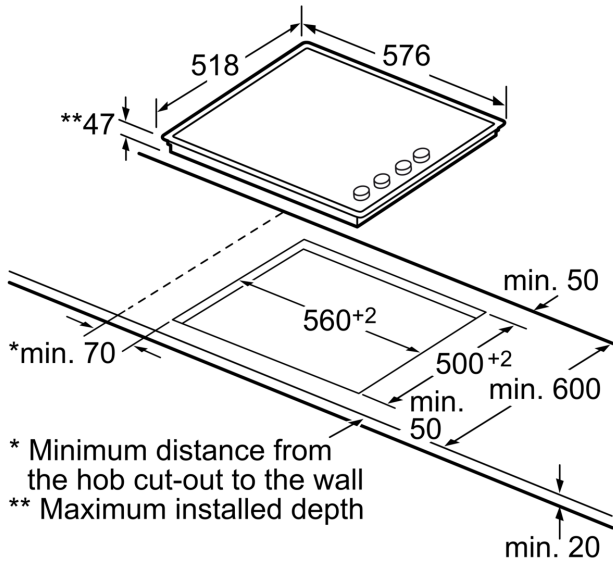
Features

- Variable 9-stage power settings for each zone
- Residual heat indicator for each zone

Performance/technical information

- 4 zone Quick-Therm hob

**Electric hob, 60 cm, Black,
PKE645C14D**



* Minimum distance from
the hob cut-out to the wall
** Maximum installed depth

All measurements in mm