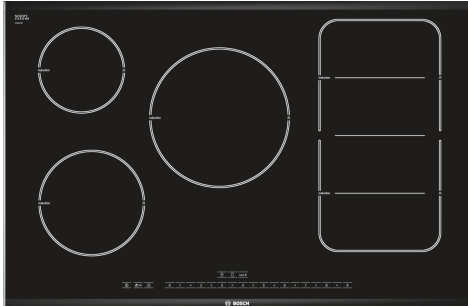


Induction hob, 80 cm, Black, PIP875N14E



- **FlexInduction:** more flexibility on your hob for large pots and pans.
- **PowerBoost:** up to 50% more power for faster heating on your induction hob.
- **Timer with switch-off function:** Turns off the assigned cooking zone after the set time.
- **The handy ChildLock locks the control panel to prevent accidental changes in settings.**
- **Induction: Fast, precise cooking, easy cleaning and low energy consumption.**

Technical Data

Product name/family: Cooking zone ceramic
 Built-in / Free-standing: Built-in
 Energy input: Electric
 Number of cooking zones: 5
 Min. required niche size for installation (HxWxD): 50 x 750-780 x 490-500 mm
 Width of the appliance: 816 mm
 Dimensions: 50 x 816 x 527 mm
 Dimensions of the packed product (HxWxD): 119 x 928 x 608 mm
 Net weight: 15.6 kg
 Gross weight: 16.8 kg
 Residual heat indicator: Separate
 Location of control panel: Front
 Basic surface material: Ceramic glass
 Color of surface: Black, Stainless steel
 Color of frame: Stainless steel
 Length electrical supply cord: 110.0 cm
 EAN code: 4242002669175
 Voltage: 220-240 V
 Frequency: 60; 50 Hz

Optional accessories

HEZ390041	set of 3 pots + 1 pan for induction hob
HEZ390042	Set of 3 pots and 1 pan
HEZ390090	Wok Set consisting of 3 Items
HEZ390512	Teppan Yaki (large)
HEZ390522	Griddle Plate
HEZ390011	Stainless Steel roaster with glas lid
HEZ390012	Steaming Rack for Stainless Steel roaste
HEZ390020	set of 1 pot and 1 pan for induction hob



Induction hob, 80 cm, Black, PIP875N14E

Key Information

- Electronic control
- DirectSelect operation
- Digital display
- Safety cut-out switch-off
- Control panel lock
- PowerBoost function for all zones
- Side controls
- Automatic pan recognition sensor
- Power management function

Design

- 816 mm
- Front controls
- Precise Timer
- Profile trim (front facette with side trim)

Features

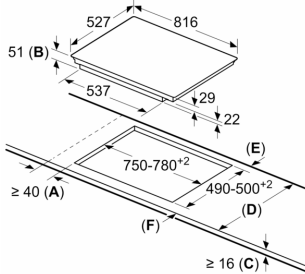
- Variable 17-stage power settings for each zone
- Main on/off switch
- Timer for all zones
- 2 stage residual heat indicator for each zone
- Freeze function

Performance/technical information

- 5 Induction cooking zones

Induction hob, 80 cm, Black, PIP875N14E

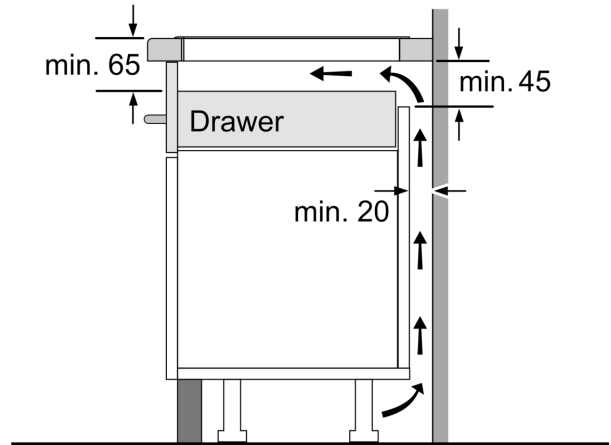
measurements in mm



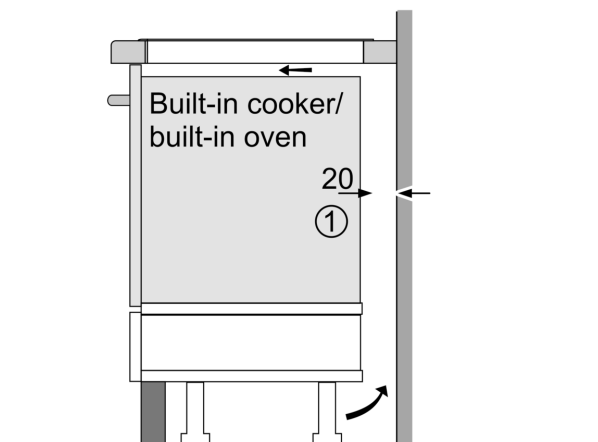
- A: Minimum distance from the hob cut-out to the wall.
- B: Recessed depth
- C: The clearance between the surface of the worktop and the top of the front of the oven must be 30 mm. See space requirements for the oven.

The worktop into which the hob is installed must withstand loads of approx. 60 kg; suitable substructures must be used if required.

D	E	F
585-600	50	≥ 35
> 600	≥ 50	≥ 50

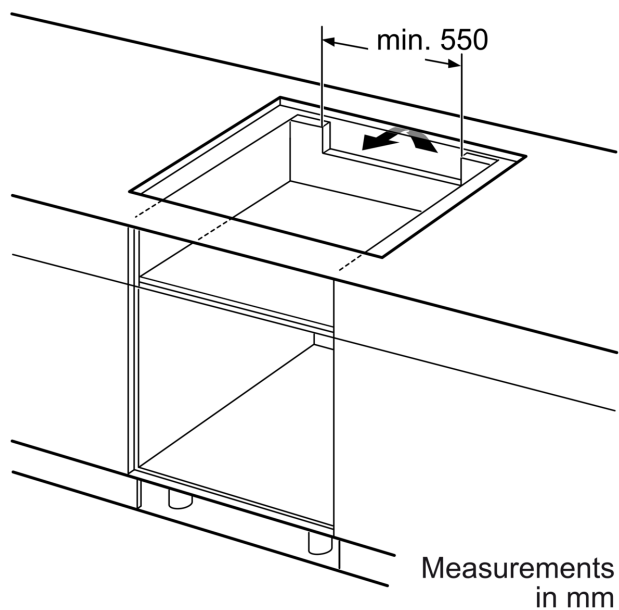


Measurements in mm



- ① Ventilation gap must be present.

Measurements in mm



Measurements in mm