

**Series 2, Gas hob, 60 cm, Stainless steel
PBH6B5B60**



Optional accessories

HEZ298105	Simmer plate
HEZ298108	Wok ring
HEZ298114	Small pot support

Gas hob with side-mounted controls: the desired cooking zones can be conveniently operated from the side.

- **Wok burner:** powerful cooking at up to 3.3 kW.
- **Continuous cast-iron finish pan supports:** for maximum stability.
- **Biomethane-ready:** your gas hob can also be powered with renewable biomethane gas.
- **Sword knobs:** for an ergonomic control.
- **Surface colour:** elegant stainless-steel design.

Technical Data

Product name/family: gas hob w integrated controls
Built-in / Free-standing: Built-in
Energy input: Gas
Number of cooking zones: 4
Type of control setting devices: sword knobs
Min. required niche size for installation (HxWxD): 45 x 560-562 x 480-492 mm
Width of the appliance: 580 mm
Dimensions: 56 x 580 x 510 mm
Dimensions of the packed product (HxWxD): 141 x 651 x 578 mm
Net weight: 7.3 kg
Gross weight: 8.2 kg
Residual heat indicator: without
Location of control panel: Lateral
Basic surface material: Stainless steel
Color of surface: Stainless steel
Length electrical supply cord: 100.0 cm
EAN code: 4242002821245
Gas connection rating: 7700 W
Fuse protection: 3 A
Voltage: 220-240 V
Frequency: 60; 50 Hz



Series 2, Gas hob, 60 cm, Stainless steel PBH6B5B60

Gas hob with side-mounted controls: the desired cooking zones can be conveniently operated from the side.

Design

- Stainless steel surface
- cast iron finish pan supports with rubber feet

Usage convenience

- Design co-ordinated control dials: access dials on the side with strong grip for effortless turning.
- Ignition via control dials: just push and turn the dials to ignite the flame.

Burners and power

- 4 gas burners
- Left front: wok burner up to 3.3 KW (depending on gas type)
- Left rear: Standard burner up to 1.75 KW (depending on gas type)
- Right rear: Standard burner up to 1.75 KW (depending on gas type)
- Right front: Economy burner up to 1 KW (depending on gas type)

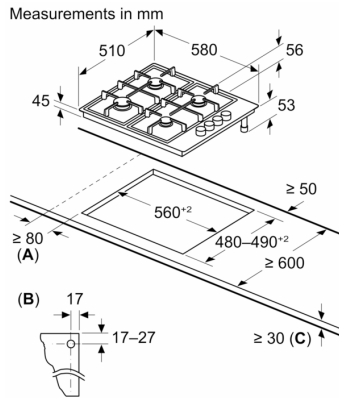
Safety

- Flame failure safety device: prevents unwanted gas flow when flame goes out.

Installation (gas types & measurements)

- Usable for: Nat gas L/LL G25/20mbar(DE)
- NG H/E 20mbar, E+ 20/25mbar Natural gas H 25 mbar (HU) Natural gas L 25 mbar (NL) Liquid gas G30,31 28-30/37mbar Liquid gas G30 37 mbar (PL) Liquid gas 50 mbar
- Pre-set for natural gas
- Nozzle set for LPG jets included. Connection to 28-30/37 mbar bottled gas. Nozzles for all other gas types can be ordered via the customer service. For nozzle change, please contact the customer service.
- Dimensions of the product (HxWxD mm): 56 x 580 x 510
- Required niche size for installation (HxWxD mm) : 45 x 560 x (480 - 492)
- Min. worktop thickness: 30 mm
- Power cord: 1 m
- Connected load: 7.7 KW

**Series 2, Gas hob, 60 cm, Stainless steel
PBH6B5B60**



A: Min. distance from the hob cut-out to the wall

B: Position of gas connection in the cut-out

C: With fitted oven underneath possibly more; see space requirements for the oven