

**Series 6, built-under fridge with freezer section, 82 x 60 cm, flat hinge  
KUL15A60GB**



**A++**



**Included accessories**

1 x egg tray, 1 x ice cube tray

**Optional accessories**

KFZ10AX0 Door panel with decor frame  
KUZ20SX0 Attachment door, stainless steel

**The refrigerator with MultiBox: extra compartment for your fruits and vegetables**

• LED lighting - with soft start, lasts for the lifetime of the appliance.

**Technical Data**

Built-in / Free-standing: ..... Built-in  
 Door panel options: ..... Possible but accessory  
 Height: ..... 820 mm  
 Width of the appliance: ..... 598 mm  
 Depth: ..... 548 mm  
 Min. required niche size for installation (HxWxD): ....820 x 600 x 550 mm  
 Net weight: ..... 33.8 kg  
 Connection rating: ..... 90 W  
 Fuse protection: ..... 13 A  
 Door hinge: ..... Right reversible  
 Voltage: ..... 220-240 V  
 Frequency: ..... 50 Hz  
 Length electrical supply cord: ..... 230.0 cm  
 Number of compressors: ..... 1  
 Number of independent cooling systems: ..... 1  
 Interior ventilator: ..... No  
 Reversible Door Hinge: ..... Yes  
 Number of Adjustable Shelves in fridge compartment: ..... 1  
 Shelves for Bottles: ..... No  
 EAN code: ..... 4242002644301  
 Brand: ..... Bosch  
 Product name / Commercial code: ..... KUL15A60GB  
 Product category: ..... Refrigerator  
 Frost free system: ..... No  
 Installation typology: ..... Built-under  
 Included accessories: ..... 1 x egg tray, 1 x ice cube tray



4 242002 644301

## **Series 6, built-under fridge with freezer section, 82 x 60 cm, flat hinge**

### **KUL15A60GB**

## **The refrigerator with MultiBox: extra compartment for your fruits and vegetables**

---

#### **Performance and Consumption**

- Energy Efficiency Class: A++
- Energy Efficiency Class: A++ kWh/yr: 0.381 kWh
- Total net capacity: 123 litres
- Net fridge capacity: 108 litres
- Net freezer capacity: 15 litres
- Noise level dB(A) re 1 pW: 38

#### **Design features**

- Right hinged door, reversible door
- Fixed hinge
- Mechanical control
- Bright interior LED fridge light
- Removable magnetic door seals - easy to clean
- 1 compressor

#### **Food freshness system**

- 2 MultiBox drawers

#### **Key features - Fridge section**

- 2 removable safety glass shelves
- 2 safety glass shelves in fridge compartment of which 1 are height adjustable
- 1 removable door storage compartments.
- Automatic defrost fridge

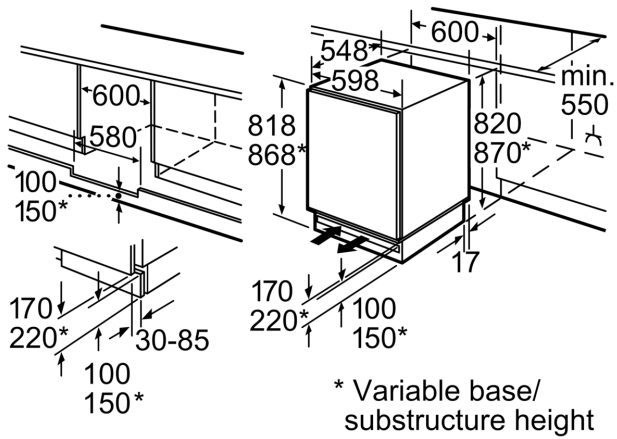
#### **Key features - Freezer section**

- 1 hinged freezer compartment
- Ice box
- Maximum freezer storage time in power failure: 10 hours
- Freezing capacity in 24 hours: 2 kg

#### **Dimension and installation**

- Ventilation in plinth, the plinth size can be varied
- Climate class SN-ST (suitable for ambient temperatures between 10 to 38°C)
- Connection value 90 W
- Dimensions: 82 cm H x 59.8 cm W x 54.8 cm D
- Niche Dimensions: 82 cm H x 60 cm W x 55 cm D

**Series 6, built-under fridge with  
freezer section, 82 x 60 cm, flat  
hinge  
KUL15A60GB**



Space for electrical connection next to the  
appliance on the left or right-hand side.  
Ventilation space in the base.

Measurements in mm