

**Series 4, built-in fridge-freezer with freezer at bottom, 177.2 x 54.1 cm, sliding hinge
KIV87VS30G**



The bottom freezer with electronic temperature control and MultiBox: set the temperature easily and precisely.

- **LED lighting:** all your items in perfect view.
- **VarioZone:** more flexibility due to variable-use glass shelves and drawers in the freezer compartment.
- **Big Box drawer:** easily stack food containers and store larger items in your freezer.
- **Low Frost:** defrost less often thanks to reduced frost – saving time, effort and energy.

Built-in / Free-standing:	Built-in
Door panel options:	Not possible
Height:	1772 mm
Width of the appliance:	541 mm
Depth:	545 mm
Required niche size for installation (HxWxD): ...	1775 x 560 x 550 mm
Net weight:	61.6 kg
Connection rating:	90 W
Fuse protection:	13 A
Door hinge:	Right reversible
Voltage:	220-240 V
Frequency:	50 Hz
Length electrical supply cord:	230.0 cm
Number of compressors:	1
Number of independent cooling systems:	1
Interior ventilator:	No
Reversible Door Hinge:	Yes
Number of Adjustable Shelves in fridge compartment:	4
Shelves for Bottles:	No
Frost free system:	No
Installation typology:	Integrated



KSZ10020 Bottle Rack

Series 4, built-in fridge-freezer with freezer at bottom, 177.2 x 54.1 cm, sliding hinge KIV87VS30G

The bottom freezer with electronic temperature control and MultiBox: set the temperature easily and precisely.

Performance and Consumption

- Energy Efficiency Class: A++
- Energy Efficiency Class: A++ kWh/yr: 0.621 kWh
- Total net capacity: 272 litres
- Net fridge capacity: 209 litres
- Net freezer capacity: 63 litres
- Noise level dB(A) re 1 pW: 38
- Climate class SN-T (suitable for ambient temperatures between 10 to 43°C)

Design features

- Bright interior LED fridge light
- Right hinged door, reversible door
- 1 compressor
- Bright interior LED fridge light
- LED electronic control
- Removable magnetic door seals - easy to clean
- Easy clean interior

Food freshness system

- FreshSense - Constant temperature control by intelligent sensor technology
- 2 x cold accumulator, 3 x egg tray, 1 x ice cube tray
- 1 MultiBox - Transparent drawer with a rippled bottom, ideal for storing fruits and vegetables.

Key features - Fridge section

- 5 door bins
- Sliding hinge, softClosing door: No
- 5 removable safety glass shelves of which 4 are easy pull out
- Door shelves in fridge door: 1 large and 4 small
- 5 safety glass shelves in fridge compartment of which 4 are height adjustable

Key features - Freezer section

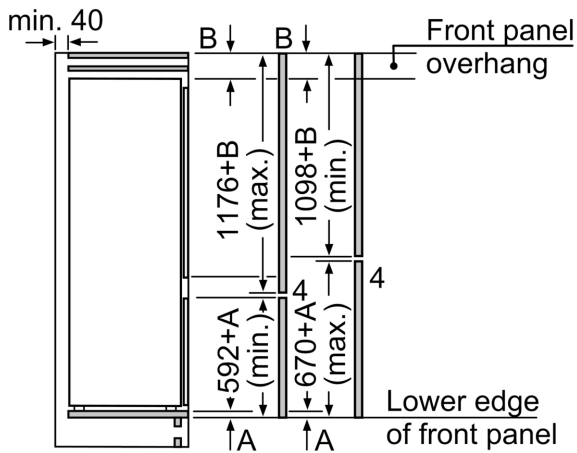
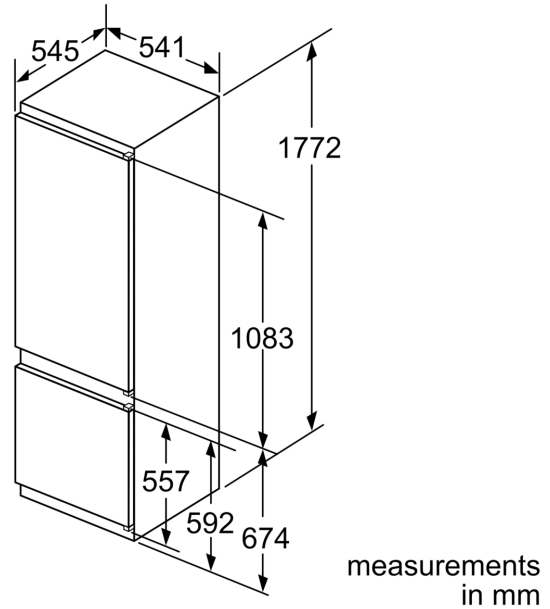
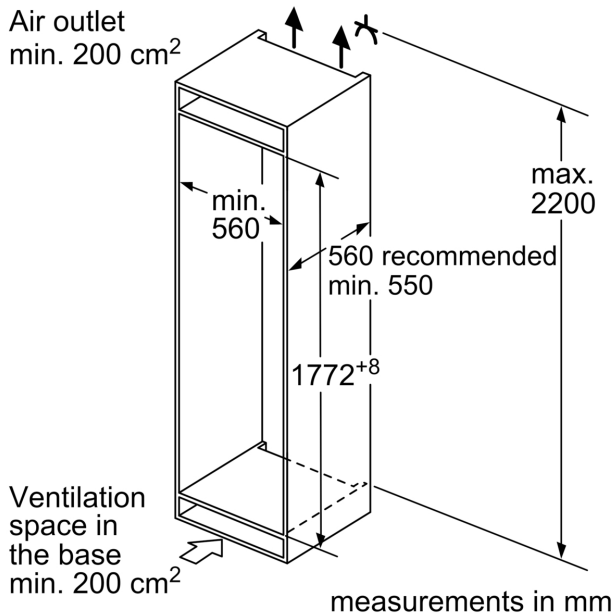
- 2 transparent freezer drawers, including 1 BigBox
- Freezing capacity in 24 hours: 3 kg
- 4 star freezer rating
- Manual defrost freezer
- SuperFreezing function with automatic deactivation
- Maximum freezer storage time in power failure: 26 hours
- Calendar frozen food

Functions

Dimension and installation

- Easy Installation
- Height adjustable front feet
- Niche Dimensions: 177.5 cm H x 56 cm W x 55 cm D
- Dimensions: 177.2 cm H x 54.1 cm W x 54.5 cm D

**Series 4, built-in fridge-freezer with
freezer at bottom, 177.2 x 54.1 cm,
sliding hinge
KIV87VS30G**



The specified unit door dimensions
are valid for a door gap of 4 mm.
measurements in mm