

**Serie | 4, built-in fridge-freezer with freezer at bottom, 177.2 x 54.1 cm, flat hinge
KIV87VFF0G**



Included accessories

3 x egg tray
1 x ice cube tray



The bottom freezer with electronic temperature control and MultiBox: set the temperature easily and precisely.

- LED lighting - with soft start, lasts for the lifetime of the appliance.
- **VarioZone:** more flexibility due to variable-use glass shelves and drawers in the freezer compartment.
- **BigBox frozen food drawer:** for stacking storage containers or for large frozen food items.
- **LowFrost:** defrost less often thanks to lower ice formation - saves work and is energy-efficient.

Technical Data

Energy Efficiency Class: F

Average annual energy consumption in kilowatt hour per year (kWh/a): 259 kWh/annum

Sum of volume of frozen compartments: 63 l

Sum of volume of chill compartments: 209 l

Airborne acoustical noise emissions : 38 dB(A) re 1 pW

Airborne acoustical noise emission class: C

Built-in / Free-standing: Built-in

Door panel options: Not possible

Width of the appliance: 541 mm

Depth: 545 mm

Required niche size for installation (HxWxD): 1775.0 x 560 x 550 mm

Net weight: 62.3 kg

Connection Rating: 90 W

Fuse protection: 13 A

Door hinge: Right reversible

Voltage: 220-240 V

Frequency: 50 Hz

Approval certificates: CE, VDE

Length electrical supply cord: 230 cm

Storage Period in Event of Power Failure (h): 13 h

Number of compressors: 1

Number of independent cooling systems: 1

Interior ventilator: No

Reversible Door Hinge: Yes

Number of Adjustable Shelves in fridge compartment: 4

Shelves for Bottles: No

Frost free system: No

Installation typology: Full-integrated

Type of hinge: Flush-folding



Serie | 4, built-in fridge-freezer with freezer at bottom, 177.2 x 54.1 cm, flat hinge KIV87VFF0G

The bottom freezer with electronic temperature control and MultiBox: set the temperature easily and precisely.

Performance and Consumption

- EU19_EEK_D: F
- Total Volume : 272 l
- Net Fridge Volume : 209 l
- Net Freezer Volume : 63 l
- Freezing capacity 24h : 3.1 kg
- Annual Energy Consumption: 259 kWh/a
- Climate Class: SN-ST
- Noise Level : 38 dB
- Temperature rise time : EU19_Temperature rise time_D: 13 H

Functions

- Fixed hinge
- Easy clean interior

Design features

- LED electronic control
- 1 compressor
- SuperFreezing function with automatic deactivation
- Automatic defrost fridge

Design features

- 5 safety glass shelves in fridge compartment of which 4 are height adjustable
- 1 removable door storage compartments.
- Bright interior LED fridge light

Freshness System

- 1 MultiBox - Transparent drawer with a rippled bottom, ideal for storing fruits and vegetables.

Food freshness system

- 2 transparent freezer drawers, including 1 BigBox

Key features - Fridge section

- Right hinged door, reversible door
- Connection value 90 W
- 220 - 240 V

Dimension and installation

- Niche Dimensions: 177.5 cm H x 56 cm W x 55 cm D
- Dimensions: 177.2 cm H x 54.1 cm W x 54.5 cm D

Key features - Freezer section

- 3 x egg tray, 1 x ice cube tray

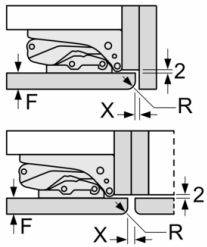
Design features

Dimension and installation

- Based on the results of the standard 24-hour test. Actual consumption depends on usage/position of the appliance.

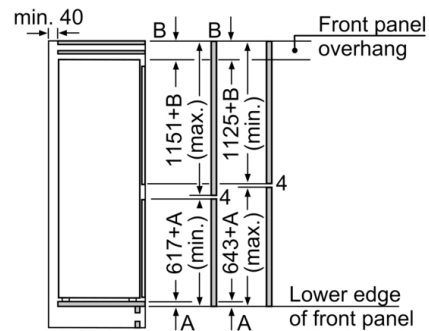
Serie | 4, built-in fridge-freezer with freezer at bottom, 177.2 x 54.1 cm, flat hinge KIV87VFF0G

measurements in mm
Recommended gap dimensions for flat hinges



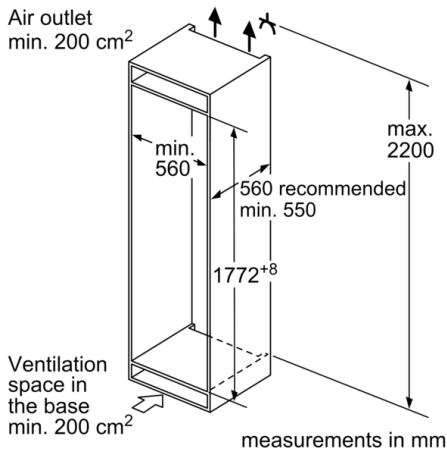
F	R	X
16-19	0-3	2.5
20	0-1	3
	2-3	2.5
21	0-1	3
	2-3	2.5
22	0	4
	1	3.5
	2-3	3

The gap dimensions recommended in the table must be adhered to in order to ensure that appliance doors do not collide with anything when they are opened, and to avoid causing damage to kitchen units.

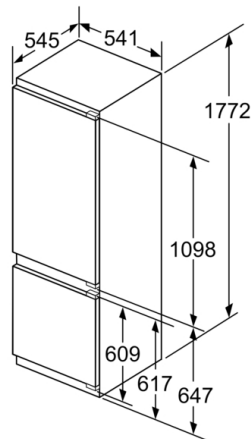


The specified unit door dimensions are valid for a door gap of 4 mm.

measurements in mm



measurements in mm



measurements in mm