

**Series 4, built-in fridge-freezer with freezer at bottom, 177.2 x 54.1 cm, flat hinge
KIV87VF30G**



The bottom freezer with electronic temperature control and MultiBox: set the temperature easily and precisely.

- **LED lighting** - with soft start, lasts for the lifetime of the appliance.
- **VarioZone**: more flexibility due to variable-use glass shelves and drawers in the freezer compartment.
- **Big Box drawer**: for stacking storage containers or for large frozen food items.
- **Low Frost**: defrost less often thanks to reduced frost – saving time, effort and energy.
- **SuperFreezing**: Protects frozen food from defrosting.

Technical Data

Built-in / Free-standing:	Built-in
Door panel options:	Not possible
Height:	1772 mm
Width of the appliance:	541 mm
Depth:	545 mm
Min. required niche size for installation (HxWxD):	1775.0 x 560 x 550 mm
Net weight:	64.1 kg
Connection rating:	90 W
Fuse protection:	13 A
Door hinge:	Right reversible
Voltage:	220-240 V
Frequency:	50 Hz
Length electrical supply cord:	230.0 cm
Number of compressors:	1
Number of independent cooling systems:	1
Interior ventilator:	No
Reversible Door Hinge:	Yes
Number of Adjustable Shelves in fridge compartment:	4
Shelves for Bottles:	No
Frost free system:	No
Installation typology:	Integrated

Optional accessories

KSZ10020 Bottle Rack



Series 4, built-in fridge-freezer with freezer at bottom, 177.2 x 54.1 cm, flat hinge KIV87VF30G

The bottom freezer with electronic temperature control and MultiBox: set the temperature easily and precisely.

Performance and Consumption

- Energy Efficiency Class: A++
- Energy Efficiency Class: A++ kWh/yr: 0.621 kWh
- Total net capacity: 272 litres
- Net fridge capacity: 209 litres
- Net freezer capacity: 63 litres
- Noise level dB(A) re 1 pW: 38
- Climate class SN-T (suitable for ambient temperatures between 10 to 43°C)

Design features

- Bright interior LED fridge light
- Right hinged door, reversible door
- 1 compressor
- Bright interior LED fridge light
- LED electronic control
- Removable magnetic door seals - easy to clean
- Easy clean interior

Food freshness system

- FreshSense - Constant temperature control by intelligent sensor technology
- 2 x cold accumulator, 3 x egg tray, 1 x ice cube tray
- 1 MultiBox - Transparent drawer with a rippled bottom, ideal for storing fruits and vegetables.

Key features - Fridge section

- 5 door bins
- 5 removable safety glass shelves of which 4 are easy pull out
- Door shelves in fridge door: 1 large and 4 small
- 5 safety glass shelves in fridge compartment of which 4 are height adjustable

Key features - Freezer section

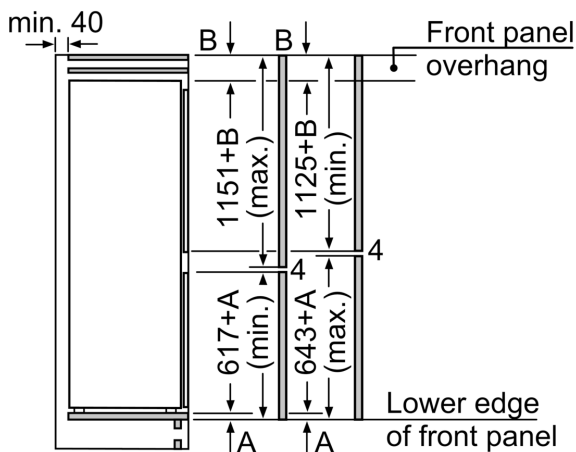
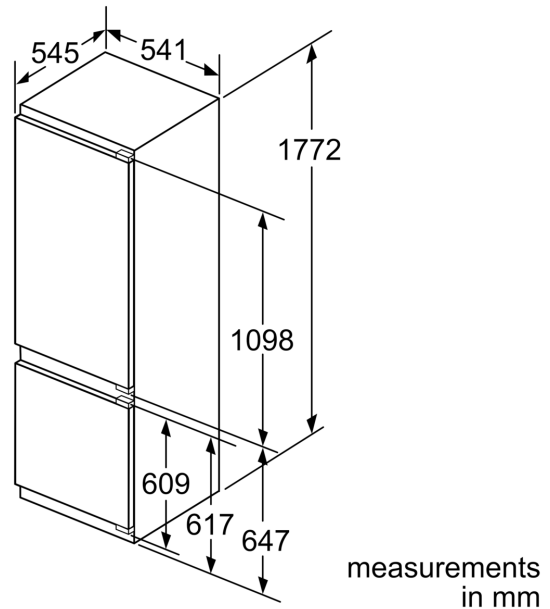
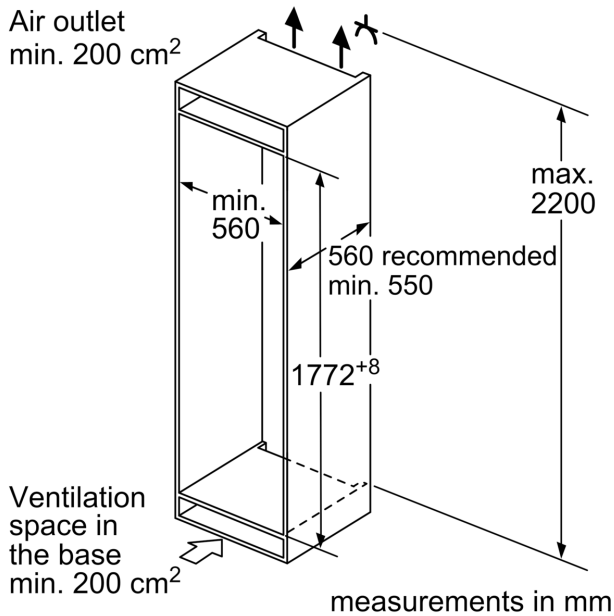
- 2 transparent freezer drawers, including 1 BigBox
- Freezing capacity in 24 hours: 3 kg
- 4 star freezer rating
- Manual defrost freezer
- SuperFreezing function with automatic deactivation
- Maximum freezer storage time in power failure: 26 hours
- Calendar frozen food

Functions

Dimension and installation

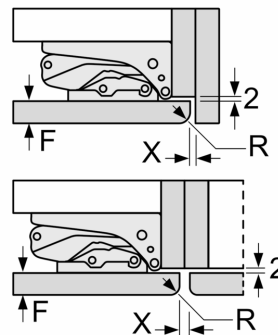
- Easy Installation
- Height adjustable front feet
- Niche Dimensions: 177.5 cm H x 56 cm W x 55 cm D
- Dimensions: 177.2 cm H x 54.1 cm W x 54.5 cm D

**Series 4, built-in fridge-freezer with
freezer at bottom, 177.2 x 54.1 cm,
flat hinge
KIV87VF30G**



The specified unit door dimensions are valid for a door gap of 4 mm.
measurements in mm

measurements in mm
Recommended gap dimensions for flat hinges



F	R	X
16-19	0-3	2.5
20	0-1	3
	2-3	2.5
21	0-1	3
	2-3	2.5
22	0	4
	1	3.5
	2-3	3

The gap dimensions recommended in the table must be adhered to in order to ensure that appliance doors do not collide with anything when they are opened, and to avoid causing damage to kitchen units.