

Serie | 4, built-in fridge-freezer with freezer at bottom, 177.2 x 54.1 cm KIV85VS30G



Included accessories

2 x cold accumulator
2 x egg tray
1 x ice cube tray

The bottom freezer with MultiBox: lots of space for your fruits and vegetables.

- **MultiBox:** transparent drawer with wave bottom, ideal for the storage of fruits and vegetables
- LED lighting - with soft start, lasts for the lifetime of the appliance.
- **VarioZone:** more flexibility due to variable-use glass shelves and drawers in the freezer compartment.
- **BigBox frozen food drawer:** for stacking storage containers or for large frozen food items.
- **LowFrost:** defrost less often thanks to lower ice formation - saves work and is energy-efficient.

Technical Data

Built-in / Free-standing :	Built-in
Door panel options :	Not possible
Width of the appliance :	541
Depth (mm) :	545
Required niche size for installation (HxWxD) :	1775.0 x 560 x 550
Net weight (kg) :	64.225
Connection Rating (W) :	90
Current (A) :	13
Door hinge :	Right reversible
Voltage (V) :	220-240
Frequency (Hz) :	50
Approval certificates :	CE, VDE
Length electrical supply cord (cm) :	230
Storage Period in Event of Power Failure (h) :	24
Number of compressors :	1
Number of independent cooling systems :	1
Interior ventilator :	No
Reversible Door Hinge :	Yes
Number of Adjustable Shelves in fridge compartment :	3
Shelves for Bottles :	No
EAN code :	4242002818825
Brand :	Bosch
Product name / Commercial code :	KIV85VS30G
Energy efficiency rating :	A++
Energy consumption annual (kWh/annum) - NEW (2010/30/EC) :	239.00
Refrigerator Net capacity (l) - NEW (2010/30/EC) :	157
Freezer Net capacity (l) - NEW (2010/30/EC) :	102
Frost free system :	No
Freezing capacity (kg/24h) - NEW (2010/30/EC) :	4
Climate class :	SN-T
Noise level (dB(A) re 1 pW) :	38
Installation typology :	Full-integrated



**Serie | 4, built-in fridge-freezer with freezer at bottom, 177.2 x 54.1 cm
KIV85VS30G**

The bottom freezer with MultiBox: lots of space for your fruits and vegetables.

Dimension and installation

- Easy Installation
- Height adjustable front feet
- Niche Dimensions: 177.5 cm H x 56 cm W x 55 cm D
- Dimensions: 177.2 cm H x 54.1 cm W x 54.5 cm D

Performance and Consumption

- Energy Efficiency Class: A++
- Energy Efficiency Class: A++ kWh/yr: 0.653 kWh
- Total net capacity: 259 litres
- Net fridge capacity: 157 litres
- Net freezer capacity: 102 litres
- Noise level dB(A) re 1 pW: 38
- Climate class SN-T (suitable for ambient temperatures between 10 to 43°C)

Design features

- Bright interior LED fridge light
- Right hinged door, reversible door
- 1 compressor
- Bright interior LED fridge light
- LED electronic control
- Removable magnetic door seals - easy to clean
- Easy clean interior

Food freshness system

- FreshSense - Constant temperature control by intelligent sensor technology
- 2 x cold accumulator, 3 x egg tray, 1 x ice cube tray
- 1 MultiBox - Transparent drawer with a rippled bottom, ideal for storing fruits and vegetables.

Key features - Fridge section

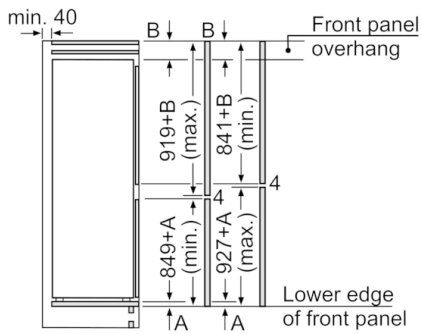
- 4 door bins
- Door shelves in fridge door: 1 large and 3 small
- 4 removable safety glass shelves of which 3 are easy pull out
- 4 safety glass shelves in fridge compartment of which 3 are height adjustable

Key features - Freezer section

- 4 transparent freezer drawers, including 1 BigBox
- Freezing capacity in 24 hours: 4.5 kg
- 4 star freezer rating
- Manual defrost freezer
- SuperFreezing function with automatic deactivation
- Maximum freezer storage time in power failure: 24 hours
- Calendar frozen food

Functions

Serie | 4, built-in fridge-freezer with freezer at bottom, 177.2 x 54.1 cm
KIV85VS30G



The specified unit door dimensions are valid for a door gap of 4 mm.
 measurements in mm

