

**Serie | 2, built-in fridge-freezer with
freezer at bottom, 177.2 x 54.1 cm,
sliding hinge
KIV38X22GB**



Included accessories
1 x butter dish



**The bottom freezer with MultiBox: lots of
space for your fruits and vegetables.**

- **MultiBox XXL:** extra-large drawer for your fruit and vegetables.

Technical Data

Energy Efficiency Class: G
Average annual energy consumption in kilowatt hour per year (kWh/a): 341 kWh/annum
Sum of volume of frozen compartments: 64 l
Sum of volume of chill compartments: 217 l
Airborne acoustical noise emissions : 40 dB(A) re 1 pW
Airborne acoustical noise emission class: C
Built-in / Free-standing: Built-in
Door panel options: Not possible
Width of the appliance: 541 mm
Depth: 545 mm
Required niche size for installation (HxWxD): 1775.0 x 562.0 x 550 mm
Net weight: 56.913 kg
Connection Rating: 90 W
Fuse protection: 13 A
Door hinge: Right reversible
Voltage: 220-240 V
Frequency: 50 Hz
Approval certificates: VDE
Length electrical supply cord: 230 cm
Storage Period in Event of Power Failure (h): 7 h
Number of compressors: 1
Number of independent cooling systems: 1
Interior ventilator: No
Reversible Door Hinge: Yes
Number of Adjustable Shelves in fridge compartment: 4
Shelves for Bottles: No
Frost free system: No
Installation typology: Full-integrated
Type of hinge: Follow-door



4 242002 763200

Serie | 2, built-in fridge-freezer with freezer at bottom, 177.2 x 54.1 cm, sliding hinge KIV38X22GB

The bottom freezer with MultiBox: lots of space for your fruits and vegetables.

Performance and Consumption

- Energy Efficiency Class: A+ kWh/yr: 0.752 kWh

Design features

- Sliding hinge
- Right hinged door, reversible door
- LED electronic control
- Removable magnetic door seals - easy to clean

Food freshness system

- 1 compressor

Key features - Fridge section

- Automatic defrost fridge
- 5 safety glass shelves in fridge compartment of which 4 are height adjustable
- 1 MultiBox - Transparent drawer with a rippled bottom, ideal for storing fruits and vegetables.

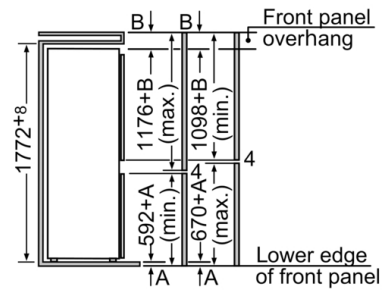
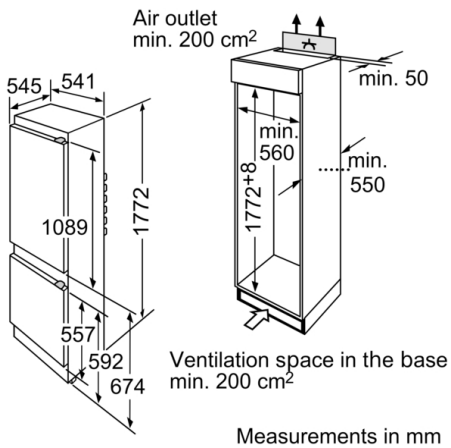
Key features - Freezer section

- Manual defrost freezer
- 3 freezer drawers
- 4 star freezer rating
- Calendar frozen food

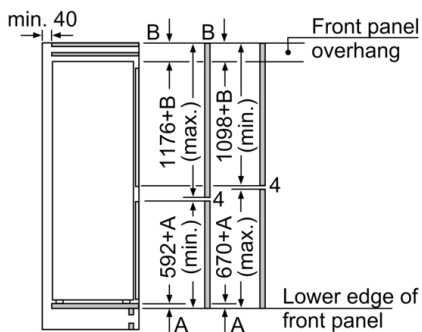
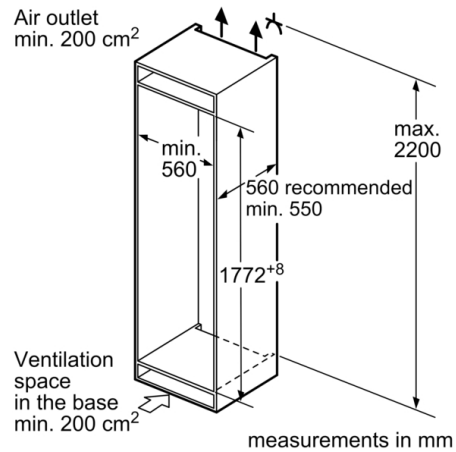
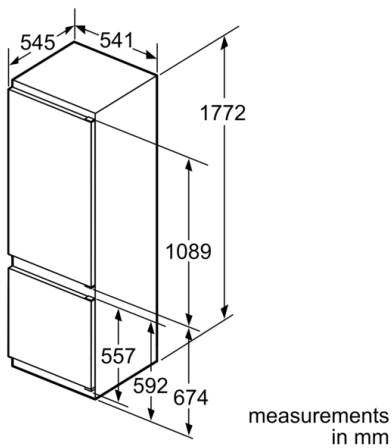
Dimension and installation

- Connection value 90 W
- Dimensions: 177.2 cm H x 54.1 cm W x 54.5 cm D
- Niche Dimensions: 177.5 cm H x 56.2 cm W x 55 cm D

Serie | 2, built-in fridge-freezer with freezer at bottom, 177.2 x 54.1 cm, sliding hinge KIV38X22GB



The specified unit door dimensions are valid for a door gap of 4 mm. If a different gap width is used (max. 14 mm), the dimensions must be adjusted.



The specified unit door dimensions are valid for a door gap of 4 mm.

measurements in mm