

**Series 4, built-in fridge, 88 x 56 cm,
sliding hinge
KIR21VS30G**



A++



Included accessories

2 x egg tray

Optional accessories

KSZ10020 Bottle Rack

The refrigerator comes with a MultiBox with rippled base: protects your fruits and vegetables - cools very efficiently.

- **LED lighting** - with soft start, lasts for the lifetime of the appliance.
- **Super Cooling**: cools new food placed inside faster, thus protecting already cooled food.

Technical Data

Built-in / Free-standing: Built-in
 Door panel options: Not possible
 Height: 874 mm
 Width of the appliance: 541 mm
 Depth: 545 mm
 Min. required niche size for installation (HxWxD):880 x 560 x 550 mm
 Net weight:46.2 kg
 Connection rating: 90 W
 Fuse protection:13 A
 Door hinge: Right reversible
 Voltage: 220-240 V
 Frequency: 50 Hz
 Length electrical supply cord: 230.0 cm
 Number of compressors: 1
 Number of independent cooling systems: 1
 Interior ventilator: No
 Reversible Door Hinge: Yes
 Number of Adjustable Shelves in fridge compartment: 3
 Shelves for Bottles: No
 EAN code:4242002812823
 Brand: Bosch
 Product name / Commercial code: KIR21VS30G
 Product category:Refrigerator
 Frost free system:No
 Installation typology: Integrated
 Included accessories: 2 x egg tray



**Series 4, built-in fridge, 88 x 56 cm,
sliding hinge
KIR21VS30G**

**The refrigerator comes with a MultiBox
with rippled base: protects your fruits and
vegetables - cools very efficiently.**

Performance and Consumption

- Energy Efficiency Class: A++
- Energy consumption: 97 kWh kWh/yr.
- Net fridge capacity: 144 litres
- Noise level dB(A) re 1 pW: 36

Design features

- Right hinged door, reversible door
- Sliding hinge
- Bright interior LED fridge light
- LED electronic control
- 1 compressor

Food freshness system

- FreshSense - Constant temperature control by intelligent sensor technology

Key features - Fridge section

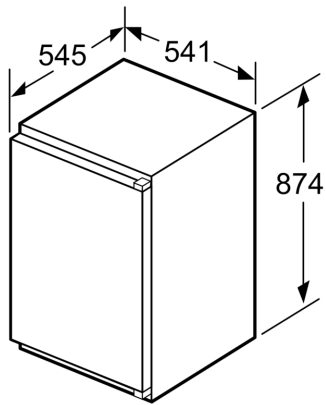
- 4 removable safety glass shelves of which 3 are easy pull out
- 1 MultiBox - Transparent drawer with a rippled bottom, ideal for storing fruits and vegetables.
- 1 removable door storage compartments.
- Bright interior LED fridge light

Functions

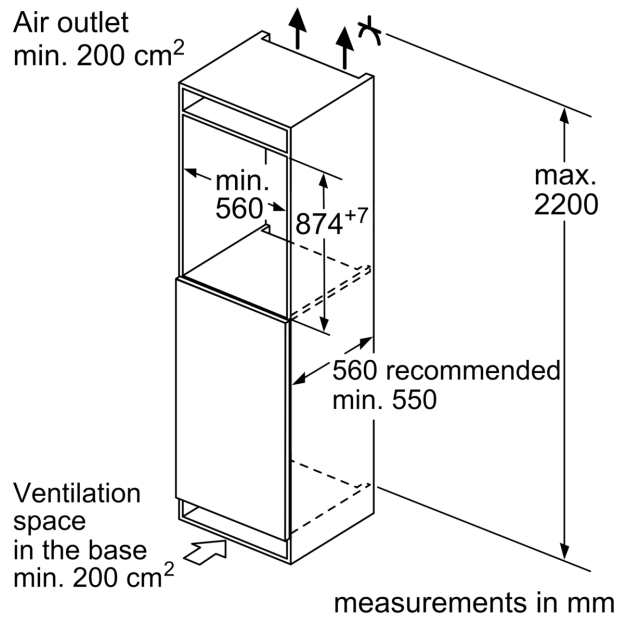
Dimension and installation

- Climate class SN-T (suitable for ambient temperatures between 10 to 43°C)
- Connection value 90 W
- Dimensions: 87.4 cm H x 54.1 cm W x 54.5 cm D
- Niche Dimensions: 88 cm H x 56 cm W x 55 cm D

**Series 4, built-in fridge, 88 x 56 cm,
sliding hinge
KIR21VS30G**



measurements in mm



measurements in mm