

**Series 6, built-in fridge-freezer with freezer at bottom, 177.2 x 55.8 cm, soft close flat hinge KIN86AD30G**



**A++**



**The bottom freezer with VitaFresh plus drawer: keeps your fruit and vegetables fresher for longer.**

- LED lighting - with soft start, lasts for the lifetime of the appliance.
- VarioZone: more flexibility due to variable-use glass shelves and drawers in the freezer compartment.
- Big Box drawer: for stacking storage containers or for large frozen food items.
- Easy Access Shelf: a pull-out glass shelf for easier access to everything inside your fridge.
- Vario Shelf: space for bottles and bowls with sectioned glass shelves that can be separated and slid underneath.

**Technical Data**

Built-in / Free-standing: .....	Built-in
Door panel options: .....	Not possible
Height: .....	1772 mm
Width of the appliance: .....	558 mm
Depth: .....	545 mm
Min. required niche size for installation (HxWxD):	1775.0 x 560 x 550 mm
Net weight: .....	68.4 kg
Connection rating: .....	90 W
Fuse protection: .....	13 A
Door hinge: .....	Right reversible
Voltage: .....	220-240 V
Frequency: .....	50 Hz
Length electrical supply cord: .....	230.0 cm
Number of compressors: .....	1
Number of independent cooling systems: .....	2
Interior ventilator: .....	No
Reversible Door Hinge: .....	Yes
Number of Adjustable Shelves in fridge compartment: .....	4
Shelves for Bottles: .....	No
Frost free system: .....	Fridge and freezer
Installation typology: .....	Integrated

**Optional accessories**

KSZ10020 Bottle Rack



## **Series 6, built-in fridge-freezer with freezer at bottom, 177.2 x 55.8 cm, soft close flat hinge KIN86AD30G**

**The bottom freezer with VitaFresh plus drawer: keeps your fruit and vegetables fresher for longer.**

---

### **Performance and Consumption**

- Energy Efficiency Class: A++ kWh/yr: 0.605 kWh
- Total net capacity: 255 litres
- Net fridge capacity: 188 litres
- Net freezer capacity: 67 litres
- Noise level dB(A) re 1 pW: 39

### **Design features**

- Automatic defrost freezer
- Right hinged door, reversible door
- Electronic control for fridge and freezer with LED display
- Removable magnetic door seals - easy to clean

### **Food freshness system**

- 1 VitaFresh plus drawer with humidity control. Fruit and vegetables retain vitamins and last longer
- FreshSense - Constant temperature control by intelligent sensor technology
- Two separate cooling circuits allow independent temperature control and prevents the transference of humidity between the fridge and freezer cavity

### **Key features - Fridge section**

- Automatic defrost fridge
- Bright interior LED fridge light
- 5 safety glass shelves in fridge compartment of which 4 are height adjustable
- SuperCool function

### **Key features - Freezer section**

- NoFrost freezer
- 4 star freezer rating
- 3 freezer drawers
- Freezing capacity in 24 hours: 8 kg
- Maximum freezer storage time in power failure: 13 hours

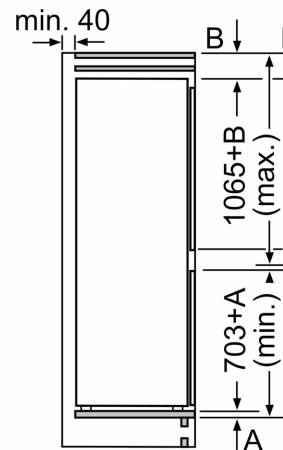
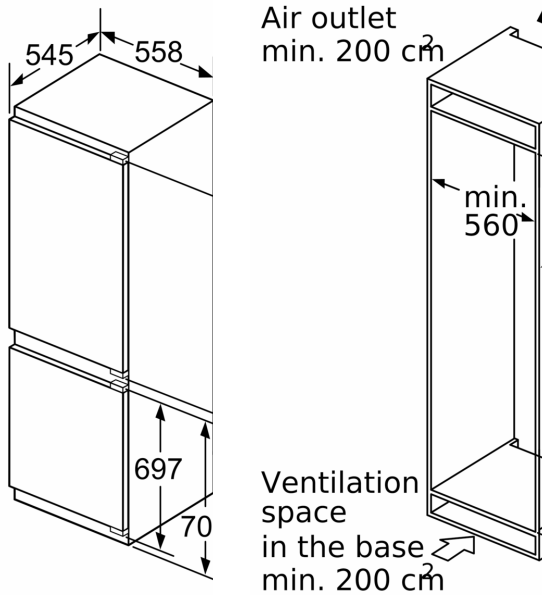
### **Functions**

- Freezer malfunction warning signal: optical and acoustical
- SuperFreezing function with automatic deactivation
- Optical and acoustical door open warning

### **Dimension and installation**

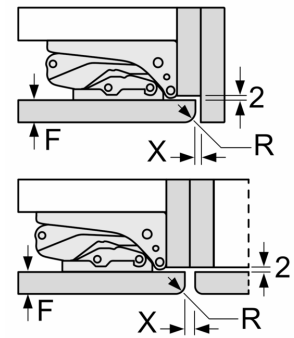
- Connection value 90 W
- Dimensions: 177.2 cm H x 55.8 cm W x 54.5 cm D
- Niche Dimensions: 177.5 cm H x 56 cm W x 55 cm D
- Climate class SN-ST (suitable for ambient temperatures between 10 to 38°C)

**Series 6, built-in fridge-freezer with  
freezer at bottom, 177.2 x 55.8 cm,  
soft close flat hinge  
KIN86AD30G**



The specified unit doc  
are valid for a door ga

measurements in mm  
Recommended gap di



The gap dimensions r  
in the table must be a  
to ensure that applian  
collide with anything v  
and to avoid causing c