

**Series 8, built-in fridge, 177.5 x 56 cm, flat hinge
KIF81PFE0**



KIF81PFE30 BI_KIF81_BO_SP1_2018_BI60 April 2018



1 x bottle holder in door tray

KSZB0S00 Heavy-duty hinge support
KSZGGM00 Butter box

The Built-in refrigerator with VitaFresh pro: thanks to 0°C technology and optimal humidity levels, your food stays vitamin-rich and fresher for longer.

- **VitaFresh pro:** keeps food fresh for longer thanks to optimal climate control and +0°C technology.
- **LED lighting:** all your items in perfect view.
- **Easy Access Shelf:** a pull-out glass shelf for easier access to everything inside your fridge.
- **Vario Shelf:** space for bottles and bowls with sectioned glass shelves that can be separated and slid underneath.
- **Super Cool function:** cools new food faster, to protect what is already inside.

Energy Efficiency Class: E
 Average annual energy consumption in kilowatt hour per year (kWh/a): 150 kWh/annum
 Sum of volume of frozen compartments: 0 l
 Sum of volume of chill compartments: 289 l
 Airborne acoustical noise emissions : 37 dB(A) re 1pW
 Airborne acoustical noise emission class: C
 Built-in / Free-standing: Built-in
 Door panel options: Not possible
 Height: 1772 mm
 Width of the appliance: 558 mm
 Depth: 545 mm
 Required niche size for installation (HxWxD): 1775.0 x 560 x 550 mm
 Net weight: 69.8 kg
 Connection rating: 90 W
 Fuse protection: 10 A
 Door hinge: Right reversible
 Voltage: 220-240 V
 Frequency: 50 Hz
 Length electrical supply cord: 230.0 cm
 Number of compressors: 1
 Number of independent cooling systems: 1
 Interior ventilator: No
 Reversible Door Hinge: Yes
 Number of Adjustable Shelves in fridge compartment: 6
 Shelves for Bottles: No
 EAN code: 4242005207909
 Brand: Bosch
 Product name / Commercial code: KIF81PFE0
 Product category: Refrigerator
 Frost free system: No
 Installation typology: Integrated
 Included accessories: 1 x bottle holder in door tray





**Series 8, built-in fridge, 177.5 x 56
cm, flat hinge
KIF81PFE0**

**The Built-in refrigerator with VitaFresh
pro: thanks to 0°C technology and optimal
humidity levels, your food stays
vitamin-rich and fresher for longer.**

Functions

- Bright interior LED fridge light

Design features

- Electronic LED display
- FreshSense - Constant temperature control by intelligent sensor technology
- SuperCool function
- Optical and acoustical door open warning

Design features

- 7 safety glass shelves (6 height adjustable)
- 5 door trays, including 1x dairy compartment

Freshness System

- 1 VitaFresh pro 0°C drawer with humidity control - fruits and vegetables stay vitamin-rich and fresher for longer.

Dimension and installation

- Dimensions: 177.2 cm H x 55.8 cm W x 54.5 cm D
- Niche Dimensions: 177.5 cm H x 56 cm W x 55 cm D

Key features - Fridge section

- Right hinged door, reversible door
- Connection value 90 W
- 220 - 240 V

Key features - Freezer section

- .

Country Specific Options

- Based on the results of the standard 24-hour test. Actual consumption depends on usage/position of the appliance.

Design features

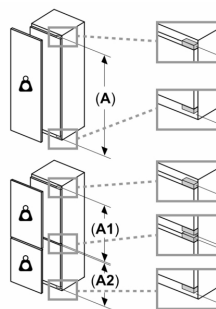
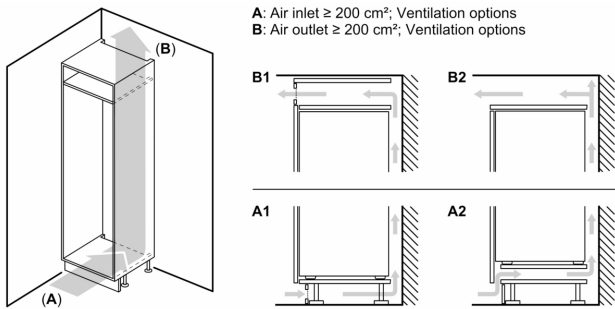
Dimension and installation

Additional features

Performance and Consumption

- EU19_EEK_D: E
- Total Volume : 289 l
- Net Fridge Volume : 289 l
- Annual Energy Consumption: 150 kWh/a
- Climate Class: SN-ST
- Noise Level : 37 dB

**Series 8, built-in fridge, 177.5 x 56 cm, flat hinge
KIF81PFE0**



Maximal permissible weight of the unit fronts

Fitted unit fronts that exceed the permissible weight may cause damage and result in functional impairment of the hinges

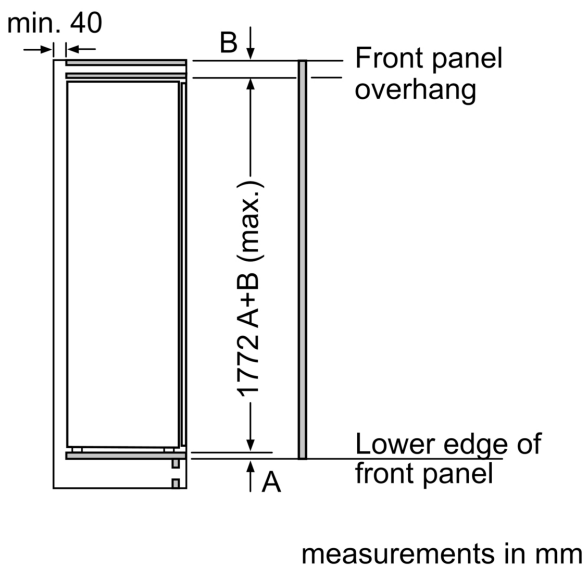
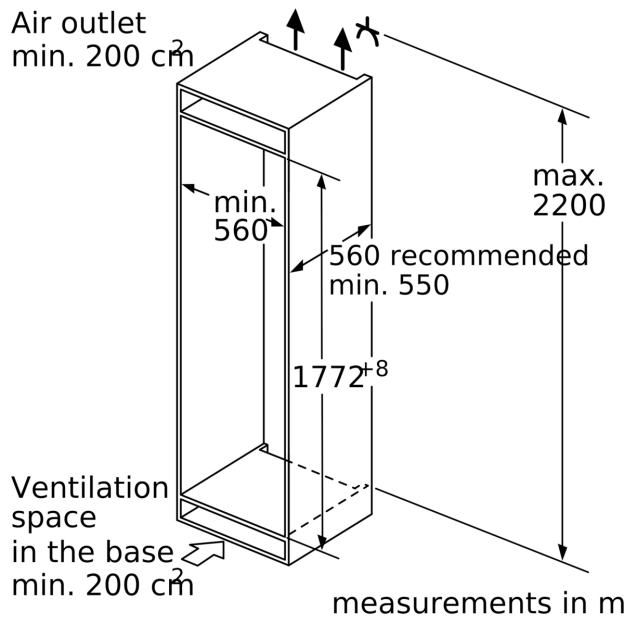
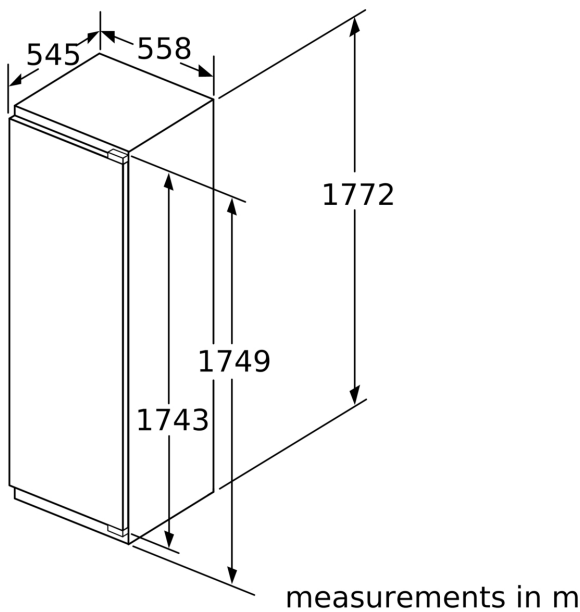
Δ : Weight
 A: Appliance door height including hinges in mm

B: Undamped hinge, unit front in kg

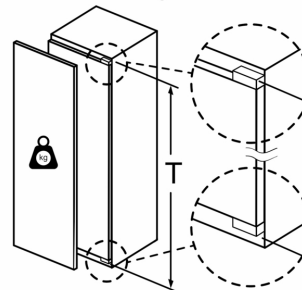
C: Damped hinge, unit front in kg

D: Additional possible load in kg with heavy load kit

A	B	C	D
1500-1750	22	22	B+5 / C+5
720-1400	19	19	
A1	15	19	
A2	15	19	



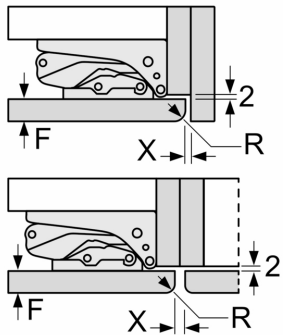
Maximal permissible weight of the unit fronts



Fitted kitchen unit doors that exceed the permissible weight may cause damage and result in functional impairment of the hinges.

T: Includes height of appliance door Hinges in mm:	undamped hinge, Door in kg:	damped hinge, Door in kg:
1500-1750	22	22

measurements in mm
Recommended gap dimensions for flat hinges



F	R	X
16-19	0-3	2.5
20	0-1	3
	2-3	2.5
21	0-1	3
	2-3	2.5
22	0	4
	1	3.5
	2-3	3

The gap dimensions recommended in the table must be adhered to in order to ensure that appliance doors do not collide with anything when they are opened, and to avoid causing damage to kitchen units.