

Series 4, free-standing fridge-freezer with freezer at bottom, 203 x 60 cm, Brushed steel anti-fingerprint KGN39VICT



NoFrost bottomfreezer: no need to defrost your freezer

- **Glossy Backwall with Multi Airflow:** evenly circulates cool, fresh air to maintain consistent temperatures.
- **Perfect Fit:** place your fridge right next to walls or other appliances to save space.
- **LED lighting - with soft start, lasts for the lifetime of the appliance.**
- **2 cooling circuits: separately controllable refrigerator and freezer compartments - prevents odour transfer.**
- **Super Cooling: cools new food placed inside faster, thus protecting already cooled food.**

Energy Efficiency Class:	C
Average annual energy consumption in kilowatt hour per year (kWh/a):	162 kWh/annum
Sum of volume of frozen compartments:	103 l
Sum of volume of chill compartments:	260 l
Airborne acoustical noise emissions :	35 dB(A) re 1pW
Airborne acoustical noise emission class:	B
Built-in / Free-standing:	Free-standing
Door panel options:	Not possible
Height:	2030 mm
Width of the appliance:	600 mm
Depth:	665 mm
Net weight:	73.7 kg
Fuse protection:	10 A
Door hinge:	Right reversible
Voltage:	220-240 V
Frequency:	50 Hz
Length electrical supply cord:	226.0 cm
Number of compressors:	1
Number of independent cooling systems:	2
Interior ventilator:	No
Reversible Door Hinge:	Yes
Number of Adjustable Shelves in fridge compartment:	3
Shelves for Bottles:	Yes
Frost free system:	Fridge
Installation typology:	Free-standing



Series 4, free-standing fridge-freezer with freezer at bottom, 203 x 60 cm, Brushed steel anti-fingerprint KGN39VICT

- Based on the results of the standard 24-hour test. Actual consumption depends on usage/position of the appliance.

NoFrost bottomfreezer: no need to defrost your freezer

Performance and Consumption

- EU19_EEK_D: C
- Total Volume : 363 l
- Net Fridge Volume : 260 l
- Net Freezer Volume : 103 l
- Freezing capacity 24h : 10 kg
- Annual Energy Consumption: 162 kWh/a
- Climate Class: SN-T
- EU19_Fast freezer facility_D: yes
- Noise Level : 35 dB
- Temperature rise time : EU19_Temperature rise time_D: 15 H

Design features

- Stainless Steel EasyClean doors and Pearl grey (VZF 07127) side panels
- Separate, electronic temperature control with LED display
- Vertical door handle Vertical door handle
- Bright interior LED fridge light

Food freshness system

- Two separate cooling circuits allow independent temperature control and prevents the transference of humidity between the fridge and freezer cavity
- 1 VitaFresh drawer with humidity control - Fruits and vegetables retain vitamins and stay fresh for longer

Key features - Fridge section

- SuperCool function
- Optical and acoustic door open alarm
- ChillerBox - recommended storage area for meat and fish
- MultiAirflow system - improves circulation of air around the fridge
- 5 safety glass shelves of which 3 are height adjustable
- Bottle rack
- Door shelves in fridge door: 1 large and 3 small
- 5 safety glass shelves (3 height adjustable)

Dimension and installation

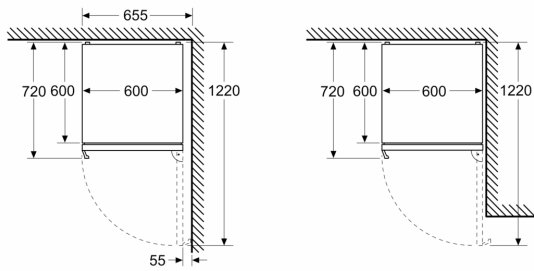
- Dimensions: 203 cm H x 60 cm W x 66.5 cm D
- Right hinged door, reversible door
- Height adjustable front feet
- 220 - 240 V

Key features - Freezer section

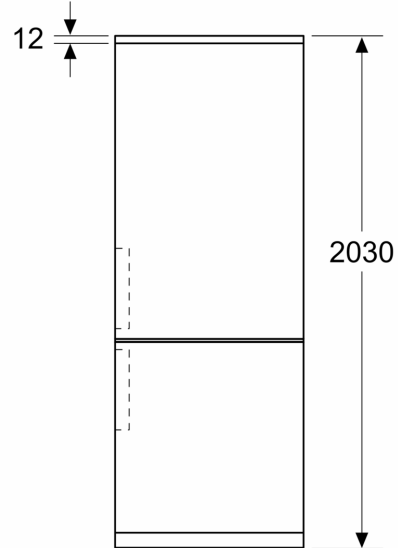
- Net freezer capacity: 103 litres
- Freezing capacity in 24 hours: 10 kg
- Maximum freezer storage time in power failure: 15 hours
- Freezer malfunction warning signal: optical and acoustical warning system
- 3 freezer drawers
- 3 x egg tray, 1 x ice cube tray

**Series 4, free-standing fridge-freezer
with freezer at bottom, 203 x 60 cm,
Brushed steel anti-fingerprint
KGN39VICT**

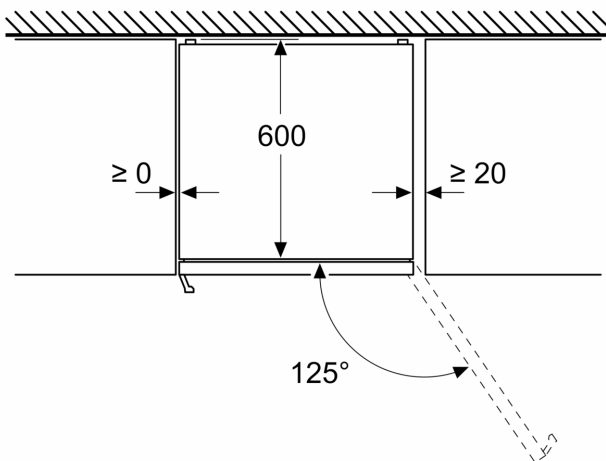
Measurements in mm



Measurements in mm



Measurements in mm



Measurements in mm

