

**Series 6, American side by side,  
178.7 x 90.8 cm, Stainless steel  
(with anti-fingerprint)  
KAI93VIFPG**



**The NoFrost side-by-side fridge-freezer with integrated ice and water dispenser: saves you from defrosting and, moreover, refreshes you at the push of a button**

- **XXL capacity:** extra space for your food when you need it.
- **LED lighting - with soft start, lasts for the lifetime of the appliance.**
- **Ice & Water Dispenser with Tank:** Dispense water, ice and crushed ice at the push of a button.
- **VarioZone:** more flexibility due to variable-use glass shelves and drawers in the freezer compartment.
- **HolidayMode** Save energy whilst you are away

---

Energy Efficiency Class: .....	F
Average annual energy consumption in kilowatt hour per year (kWh/a): .....	404 kWh/annum
Sum of volume of frozen compartments: .....	191 l
Sum of volume of chill compartments: .....	371 l
Airborne acoustical noise emissions : .....	42 dB(A) re 1 pW
Airborne acoustical noise emission class: .....	D
Built-in / Free-standing: .....	Free-standing
Door panel options: .....	Not possible
Height: .....	1787 mm
Width of the appliance: .....	908 mm
Depth: .....	707 mm
Net weight: .....	106.0 kg
Connection rating: .....	240 W
Fuse protection: .....	13 A
Door hinge: .....	left and right
Voltage: .....	220-240 V
Frequency: .....	50 Hz
Length electrical supply cord: .....	200.0 cm
Number of compressors: .....	1
Number of independent cooling systems: .....	1
Interior ventilator: .....	No
Reversible Door Hinge: .....	No
Number of Adjustable Shelves in fridge compartment: .....	0
Shelves for Bottles: .....	No
Capacity of Water Tank: .....	4.5 l
EAN code: .....	4242005191628
Brand: .....	Bosch
Product name / Commercial code: .....	KAI93VIFPG
Frost free system: .....	Fridge
Installation typology: .....	N/A
Included accessories: .....	1 x egg tray

---



**Series 6, American side by side,  
178.7 x 90.8 cm, Stainless steel  
(with anti-fingerprint)  
KAI93VIFPG**

**The NoFrost side-by-side fridge-freezer  
with integrated ice and water dispenser:  
saves you from defrosting and, moreover,  
refreshes you at the push of a button**

- KAI93VIFPG
- No Frost, American-style fridge-freezer
- High-door design Stainless Steel EasyClean

**Functions**

- Stainless Steel EasyClean doors and grey side panels
- aluminium Vertical door handle
- Bright interior LED fridge light

**Design features**

- No Frost, never have to defrost ever again
- In-door electronic LCD display of fridge and freezer temperatures
- Separate temperature control for cooling and freezing section
- SuperCool function
- SuperFreezing function with automatic deactivation
- Optical and acoustic door open alarm

**Ice and Water**

- Illuminated water and ice dispenser
- In-door ice and water dispenser: chilled water, crushed ice, ice cubes
- 4 litre water tank integrated under shelf

**Design features**

- MultiAirflow system - improves circulation of air around the fridge
- 5 safety glass shelves
- 2 removable door storage compartments.

**Freshness System**

- 2 MultiBox drawers on rails - Transparent drawers with a corrugated bottom, ideal for storing fruits and vegetables.

**Food freshness system**

- 2 freezer drawers
- 3 safety glass trays there of 0 height adjustable

**Key features - Fridge section**

- 4 height adjustable feet

**Dimension and installation**

- Dimensions: 178.7 cm H x 90.8 cm W x 70.7 cm D
- Connection value 240 W
- 220 - 240 V

**Key features - Freezer section**

**Included accessories**

**Country Specific Options**

- Based on the results of the standard 24-hour test. Actual consumption depends on usage/position of the appliance.

**Design features**

**Dimension and installation**

**Additional features**

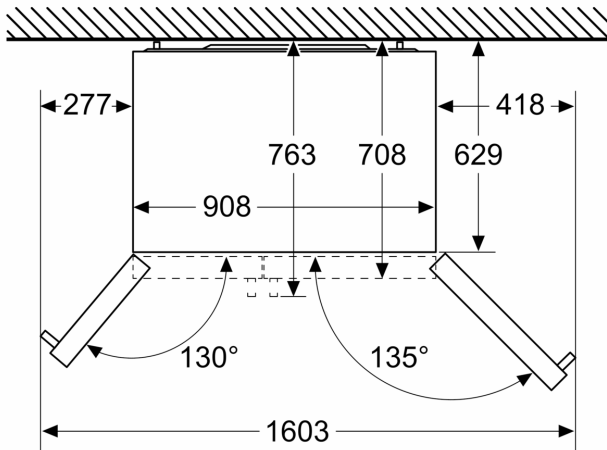
- Interior design with metal applications
- Automatic defrost fridge
- MultiBox - the special compartment in the door
- Ice cube tray, egg tray

**Performance and Consumption**

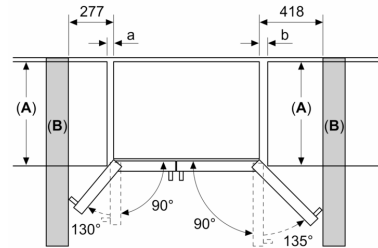
- EU19\_EEK\_D: F
- Total Volume : 562 l
- Net Fridge Volume : 371 l
- Net Freezer Volume : 191 l
- Freezing capacity 24h : 11 kg
- Annual Energy Consumption: 404 kWh/a
- Climate Class: SN-T
- EU19\_Fast freezer facility\_D: yes
- Noise Level : 42 dB
- Temperature rise time : EU19\_Temperature rise time\_D: 3 H

**Series 6, American side by side,  
178.7 x 90.8 cm, Stainless steel  
(with anti-fingerprint)  
KAI93VIFPG**

Measurements in mm



Measurements in mm



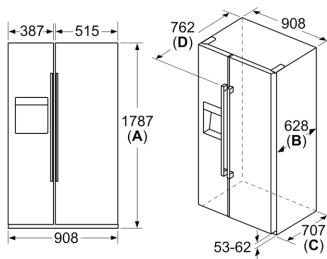
A	a	b
≤ 600	50	50
600 < A ≤ 650	50	50
650 < A ≤ 700	53	96
> 700	277	418

**A:** Kitchen cabinet or worktop depth

**B:** Wall  
Drawers can be pulled out with door open to 90°

Drawers can be taken out with door completely opened

measurements in mm



Specifications	
<b>A</b>	Front is adjustable from 1783 to 1792
<b>B</b>	Cabinet depth
<b>C</b>	Depth incl. door, without handle
<b>D</b>	Depth incl. door, with handle