

**Series 6, Built-in oven with added steam function, 60 x 60 cm, Stainless steel
HRS578BS6B**



Included accessories

2 x combination grid
1 x universal pan
2 x Universal pan
slim size

Optional accessories

HEZ531000 : Baking tray, grey enamelled
HEZ531010 : Baking tray, non-stick ceramic coated
HEZ538000 : 1fold telescopic rail, level independent
HEZ634000 : Baking and roasting grid (standard)
HEZ636000 : Glass pan
HEZ638300 : 3 level telescopic rails, full ext
HEZ915003 : Glass roasting dish, 5,4 L

The built-in oven with AutoPilot and added steam: automatically prepares your dishes so they're crispy and juicy.

- **Added Steam cooking:** keeping food crispy on the outside and juicy on the inside
- **AutoPilot 30:** Perfectly cooks dishes thanks to 30 pre-set automatic programmes.
- **White LCD display control:** easy-to-use thanks to direct access to additional functions, temperature recommendation and temperature indication.
- **Pop-out controls:** Make the front of the oven easy to clean and give it a sleek look.
- **Pyrolytic self-cleaning:** Automatically cleans the oven, just wipe out the ash.

Technical Data

Color / Material Front : Stainless steel
Built-in / Free-standing : Built-in
Integrated Cleaning system : Pyrolytic
Min. required niche size for installation (HxWxD) : 585-595 x 560-568 x 550 mm
Dimensions : 595 x 594 x 548 mm
Dimensions of the packed product (HxWxD) : 675 x 690 x 660 mm
Control Panel Material : Stainless steel
Door Material : Glass
Net weight : 40.3 kg
Usable volume (of cavity) - cavity 1 : 71 l
First cavity material : Other
Oven control : electronic
Number of interior lights : 1
Length electrical supply cord : 120 cm
EAN code : 4242005165957
Number of cavities (2010/30/EC) : 1
Energy efficiency rating : A
Energy consumption per cycle conventional (2010/30/EC) : 0.99 kWh/cycle
Energy consumption per cycle forced air convection (2010/30/EC) : 0.81 kWh/cycle
Energy efficiency index (2010/30/EC) : 95.3 %
Connection Rating : 3600 W
Fuse protection : 16 A
Voltage : 220-240 V
Frequency : 50; 60 Hz
Plug type : no plug (electrical connection by electrician)
Included accessories : 2 x combination grid, 1 x universal pan, 2 x Universal pan, slim size



Series 6, Built-in oven with added steam function, 60 x 60 cm, Stainless steel HRS578BS6B

The built-in oven with AutoPilot and added steam: automatically prepares your dishes so they're crispy and juicy.

Design

- LCD-display control (white)
- Rotary dial, Retractable control dials, round
- Straight bar handle

Features

- Home Connect ready
- Electronic door lock
Control panel lock Automatic safety switch off Residual heat indicator Door contact switch
- Digital temperature display with proposal
Heating-up indicator AutoPilot Automatic start
- AutoPilot, 30
- Electronic clock timer
- Interior halogen light, Light on/off when oven door opened/closed
- Integral cooling fan
- 5 shelf positions

Cleaning

- Pyrolytic self-cleaning function
- Full glass inner door

Programmes/functions

- Oven with 9 heating methods: 3D Hotair, conventional top and bottom heat, Hotair grilling, full width variable grill, pizza function, low temperature cooking, defrost, Hotair gentle, reheating with steam
- Additional functions:
Descaling programme
steam level high steam level low
- Heating modes in combination with steam function: Hot air, Hot air grilling, Conventional heat
- Fast pre-heating function

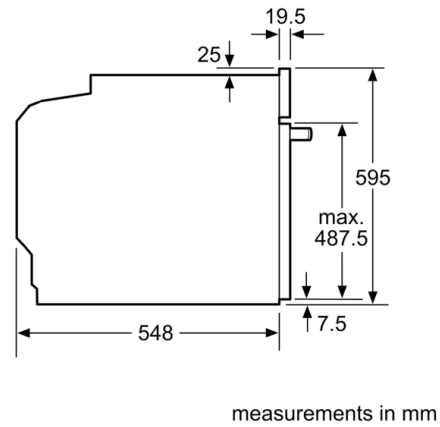
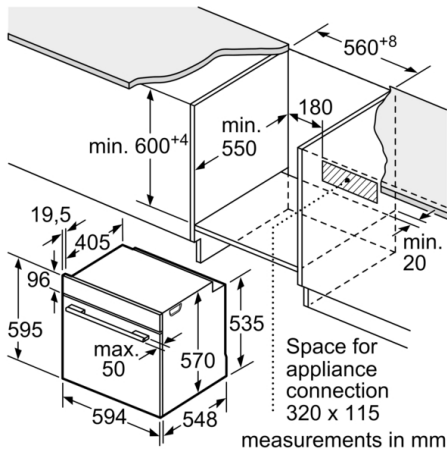
Accessories

- 2 x combination grid, 1 x universal pan, 2 x Universal pan, slim size

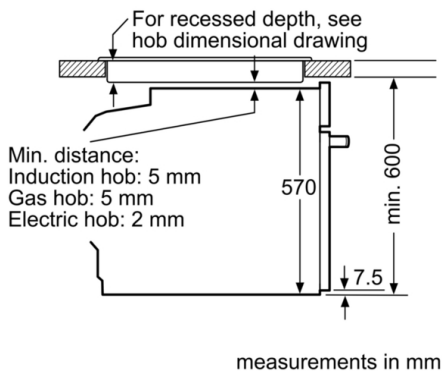
Performance/technical information

- Energy efficiency rating (acc. EU Nr. 65/2014): A
Energy consumption per cycle in conventional mode:0.99 kWh
Energy consumption per cycle in fan-forced convection mode:0.81 kWh
Number of cavities: Main cavity Heat source: electrical Cavity volume:71 litre capacity
- Water tank with a volume of 220ml
- Location of water tank: Outside cavity
- 120 cm Cable length
- Temperature range 30 °C - 275 °C
- Total connected load electric: 3.6 KW
- Nominal voltage: 220 - 240 V
- Appliance dimension (hxwxd): 595 mm x 594 mm x 548 mm
- Niche dimension (hxwxd): 585 mm - 595 mm x 560 mm - 568 mm x 550 mm
- Please refer to the dimensions provided in the installation manual

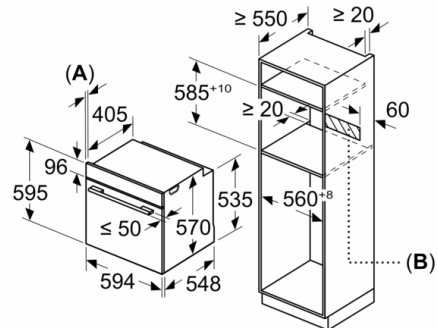
**Series 6, Built-in oven with added steam function, 60 x 60 cm, Stainless steel
HRS578BS6B**



Installation with a hob.



Measurements in mm



A: 19.5 mm
B: Space for appliance connection 320 x 115 mm