

Serie | 8, Built-in oven with added steam function, 60 x 60 cm, Stainless steel
HRG635BS1B



A+



Included accessories

2 x combination grid
 1 x universal pan

Optional accessories

HEZ530000 : Half tray
 HEZ531010 : Baking tray, non-stick ceramic coated
 HEZ625071 : Grill tray, anthracite enamelled
 HEZ631070 : Baking tray, anthracite enamelled
 HEZ634000 : Baking and roasting grid (standard)
 HEZ636000 : Glass pan
 HEZ638170 : 1 level telescopic rail, full ext, pyro
 HEZ638370 : 3 level telescopic rails, full ext, pyro
 HEZ915003 : Glass roasting dish, 5,4 L

The built-in oven with AutoPilot and added steam: automatically prepares your dishes so they're crispy and juicy.

- **Added Steam:** your foods turn out crispy on the outside and juicy on the inside.
- **4D Hotair:** even heat distribution for perfect results – on any level.
- **TFT display control:** easy-to-use thanks to the control ring with full text and symbols.
- **EcoClean Direct:** less cleaning effort thanks to a special coating of the rear wall that automatically absorbs grime.
- **Drop Down door with SoftOpen and SoftClose:** the oven door opens and closes gently and quietly

Technical Data

Color / Material Front : Stainless steel
 Built-in / Free-standing : Built-in
 Integrated Cleaning system : Catalytic partial, Hydrolytic
 Required niche size for installation (HxWxD) : 585-595 x 560-568 x 550 mm
 Dimensions : 595 x 594 x 548 mm
 Dimensions of the packed product (HxWxD) : 670 x 680 x 670 mm
 Control Panel Material : Stainless steel
 Door Material : Glass
 Net weight : 38.562 kg
 Usable volume (of cavity) - cavity 1 : 71 l
 Cooking method : Bottom heat, Conventional heat, Defrost, Full width grill, Half width grill, Hot Air-Eco, Hot air grilling, low temperature cooking, Pizza setting, pre-heating, warming
 Oven control : electronic
 Number of interior lights : 1
 Approval certificates : CE, VDE
 Length electrical supply cord : 120 cm
 EAN code : 4242005131457
 Number of cavities (2010/30/EC) : 1
 Energy efficiency rating : A+
 Energy consumption per cycle conventional (2010/30/EC) : 0.87 kWh/cycle
 Energy consumption per cycle forced air convection (2010/30/EC) : 0.69 kWh/cycle
 Energy efficiency index (2010/30/EC) : 81.2 %
 Connection Rating : 3600 W
 Fuse protection : 16 A
 Voltage : 220-240 V
 Frequency : 50; 60 Hz
 Plug type : no plug



Serie | 8, Built-in oven with added steam function, 60 x 60 cm, Stainless steel HRG635BS1B

The built-in oven with AutoPilot and added steam: automatically prepares your dishes so they're crispy and juicy.

Design

- 2.5"-TFT colour and text display with direct select buttons
- Drop down door, SoftClose, SoftOpen
- Bosch control wheel
- Straight bar handle

Features

- Control panel lock
 - Automatic safety switch off
 - Residual heat indicator
 - Start button
 - Door contact switch
- Digital temperature display with proposal
 - Actual temperature display
 - Heating-up indicator
 - AutoPilot
- 5 shelf positions
- AutoPilot, 20
- Electronic clock timer
- Interior halogen light, Light on/off when oven door opened/closed
- Water tank empty indicator

Cleaning

- EcoCleanDirect : back panel
- Full glass inner door

Programmes/functions

- Automatic programmes
- Additional heating methods with steam: reheating with steam, Dough proving
- Fast pre-heating function

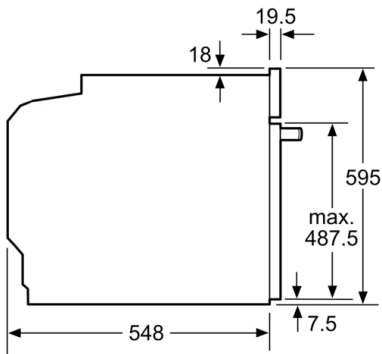
Accessories

- 2 x combination grid, 1 x universal pan

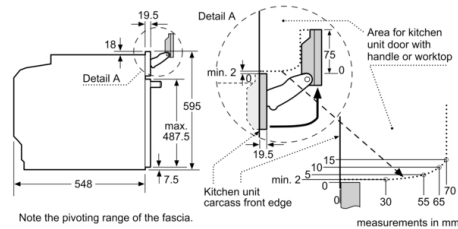
Performance/technical information

- Energy efficiency rating (acc. EU Nr. 65/2014): A+
- Energy consumption per cycle in conventional mode: 0.87 kWh
- Energy consumption per cycle in fan-forced convection mode: 0.69 kWh
- Number of cavities: Main cavity
- Heat source: electrical
- Cavity volume: 71 litre capacity
- Temperature range 30 °C - 275 °C
- 1 l Water tank
- Location of water tank: Outside cavity
- Integral cooling fan
- 120 cm Cable length
- Total connected load electric: 3.6 KW
- Nominal voltage: 220 - 240 V
- Appliance dimension (hxwxh): 595 mm x 594 mm x 548 mm
- Niche dimension (hxwxh): 585 mm - 595 mm x 560 mm - 568 mm x 550 mm
- Please refer to the dimensions provided in the installation manual

Serie | 8, Built-in oven with added steam function, 60 x 60 cm, Stainless steel HRG635BS1B

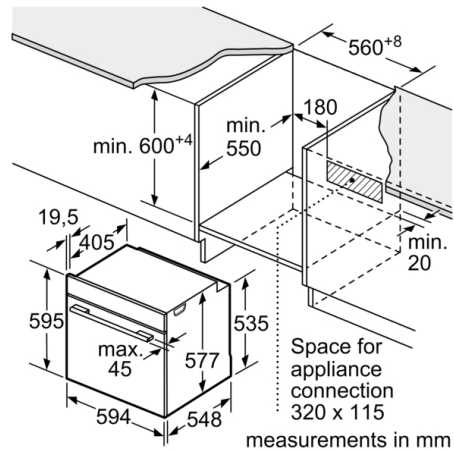


measurements in mm



If the appliance will be installed underneath a hob, the following worktop thicknesses (including substructure if necessary) must be taken into account.

Hob type	min. worktop thickness	
	fitted	flush
Induction hob	37 mm	38 mm
Full surface Induction hob	47 mm	48 mm
Gas hob	30 mm	38 mm
Electric hob	27 mm	30 mm



measurements in mm