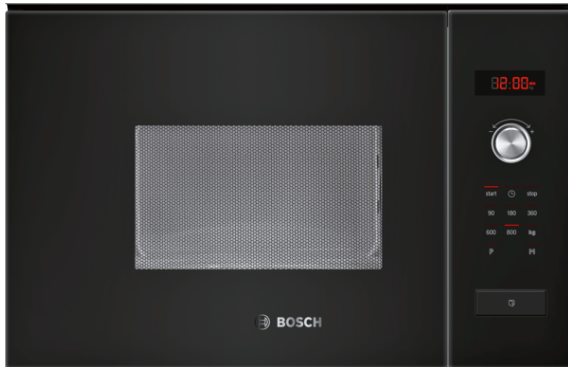


**Serie | 6, built-in microwave, 60 x 38 cm, Black
HMT75M664B**



A great partner for the kitchen, the built-in compact microwave defrosts, heats and cooks helping you prepare food in the kitchen.

- **Red LED display control:** easy-to-use thanks to clear time display.
- **Pop-out controls:** Make the front of the oven easy to clean and give it a sleek look.
- **Red LCD display control:** easy-to-use thanks to direct access to additional functions, temperature recommendation and temperature indication.

Technical Data

Type of micro-wave oven :	MW only
Type of control :	Electronic
Color / Material Front :	Black
Cavity dimensions (mm) :	201.0 x 308.0 x 282.0
Approval certificates :	CE
Length electrical supply cord (cm) :	130
Net weight (kg) :	16.405
Gross weight (kg) :	18.1
EAN code :	4242002788401
Maximum micro-wave power (W) :	800
Connection Rating (W) :	1270
Fuse protection (A) :	10
Voltage (V) :	230-240
Frequency (Hz) :	50
Plug type :	GB plug
Cavity dimensions (mm) :	201.0 x 308.0 x 282.0



**Serie | 6, built-in microwave, 60 x 38 cm,
Black
HMT75M664B**

A great partner for the kitchen, the built-in compact microwave defrosts, heats and cooks helping you prepare food in the kitchen.

Key Information

- Electronic control

Design

- 1 retractable control dial
- Push buttons
- Left hinged door
- Side opening door with viewing window

Features

- Electronic clock timer
- 1 interior light
- Stainless steel interior

Programmes/functions

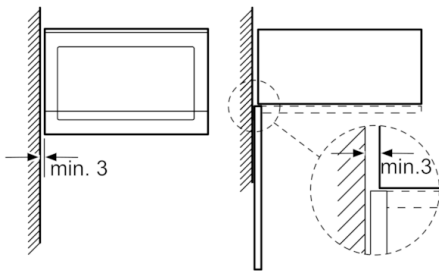
- microwave
- 4 weight automatic defrost programmes
- 1 memory function

Performance/technical information

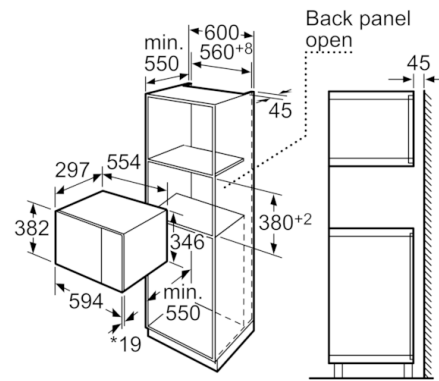
- Large 20 litre stainless steel interior
- Turntable distribution
- 255 mm turntable diameter
- 5 power levels: 800 W, 600 W, 360 W, 180 W, 90 W
- User-friendly electronics: extremely easy and comfortable operation
- For installation into a 60 cm wide wall unit, installation in tall housing

**Serie | 6, built-in microwave, 60 x 38 cm,
Black
HMT75M664B**

Microwave,
corner installation

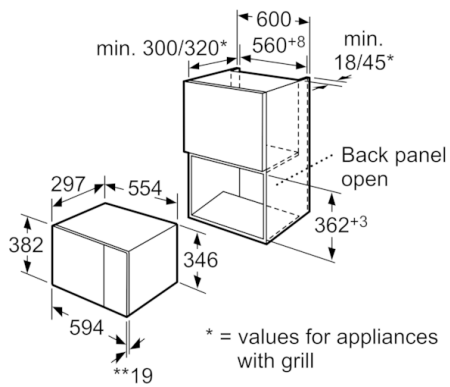


Measurements in mm



* 20 mm for metal fascias

measurements in mm



** 20 mm for metal fascias

measurements in mm