

Series 2, built-in microwave HMT75M551B



- **AutoPilot 7:** every dish is a perfect success thanks to 7 pre-set automatic programmes.
- **Red LED display control:** easy-to-use thanks to clear time display.
- **Pop-out controls:** Make the front of the oven easy to clean and give it a sleek look.
- **Red LCD display control:** easy-to-use thanks to direct access to additional functions, temperature recommendation and temperature indication.

Technical Data

Type of micro-wave oven : MW only
Type of control : Electronic
Color / Material Front : Stainless steel
Dimensions : 364 x 453 x 320 mm
Cavity dimensions : 194.0 x 290 x 285.0 mm
Length electrical supply cord : 130 cm
Net weight : 14.0 kg
Gross weight : 16.0 kg
EAN code : 4242002491677
Maximum micro-wave power : 800 W
Connection Rating : 1270 W
Fuse protection : 10 A
Voltage : 230 V
Frequency : 50 Hz
Plug type : GB plug
Cavity dimensions : 194.0 x 290 x 285.0 mm



Series 2, built-in microwave HMT75M551B

Design

- LED Display, red display
- Side opening door, left hinged
- 24.5 cm Glass turntable
- Cavity inner surface: stainless steel
- Electronic clock timer
- Rotary dial, Retractable control dials, Push button controls, Start button

Features

- AutoPilot, 7
- Round light
- Open door button

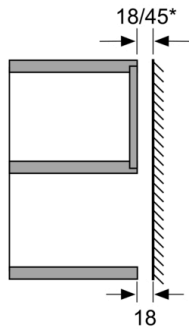
Programmes/functions

- Maximum microwave power level: 800 W and the following options: 180 W, 360 W, 600 W, 800 W, 90 W

Performance/technical information

- Cavity volume: 17 l
- 130 cm Cable length
- Total connected load electric: 1.27 KW
- Nominal voltage: 230 V
- Appliance dimension (hxwxd): 364 mm x 453 mm x 320 mm
- Niche dimension (hxwxd): 362 mm - 362 mm x 462 mm - 468 mm x 320 mm
- For installation into a 50 cm wide wall unit (min. 30 cm deep)
- Please refer to the dimensions provided in the installation manual

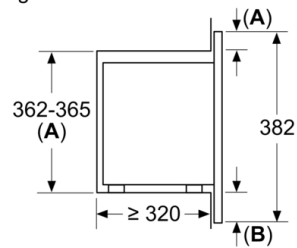
Series 2, built-in microwave HMT75M551B



* = value for appliances with grill

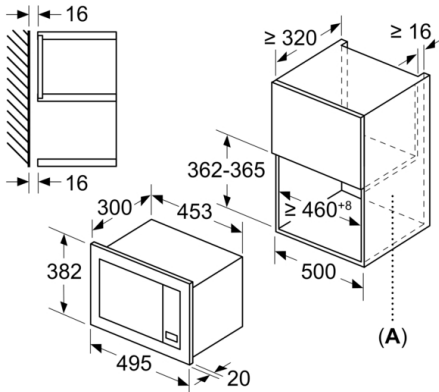
Measurements in mm

measurements in mm
installation in a wall-hanging cupboard
Microwave ovens
Built-in frame
Overhang



A: Overhang at top:
Recess 362: 6 mm
Recess 365: 3 mm
B: Overhang at bottom: 14 mm

measurements in mm



A: Back panel open