

**Series 2, 60 x 60 cm, Stainless steel
HHF113BR0B**




The built-in oven with 3D hot air: achieve perfect baking and roasting results on up to three levels simultaneously.

- **3D Hotair:** even heat distribution for perfect results on up to three levels.
- **Red LED display:** easy-to-see display thanks to the red LED.

Technical Data

Built-in / Free-standing: Built-in
 Integrated Cleaning system: No
 Required niche size for installation (HxWxD):575-597 x 560-568 x 550 mm
 Dimensions: 595x594x548 mm
 Dimensions of the packed product (HxWxD):670x665x680 mm
 Control Panel Material: Stainless steel
 Door Material: Glass
 Net weight:31.8 kg
 Usable volume (of cavity) - cavity 1:66 l
 Cooking method: Hotair gentle, Hot Air, Hot air grilling, Full width variable grill
 Length electrical supply cord: 110 cm
 EAN code: 4242005048335
 Number of cavities (2010/30/EC): 1
 Energy efficiency rating:A
 Energy consumption per cycle forced air convection (2010/30/EC):79 kWh/cycle
 Energy efficiency index (2010/30/EC): 95.2 %
 Connection rating: 2400 W
 Fuse protection:13 A
 Voltage: 220-240 V
 Frequency: 60; 50 Hz
 Plug type:GB plug
 Included accessories:1 x insert grid, 1 x combination grid, 1 x universal pan





Series 2, 60 x 60 cm, Stainless steel HHF113BR0B

The built-in oven with 3D hot air: achieve perfect baking and roasting results on up to three levels simultaneously.

Design

- LED-Display Control (Red)
- Rotary dial, round With Steel Trim
- Straight bar handle

Features

- Control panel lock
- Automatic start
- Electronic clock timer
- Interior halogen light
- Integral cooling fan
- 5 shelf positions

Cleaning

- Full glass inner door

Programmes/functions

- Oven with 4 cooking functions: heating methods: 3D Hotair, Hotair grilling, Hotair gentle, full width variable grill

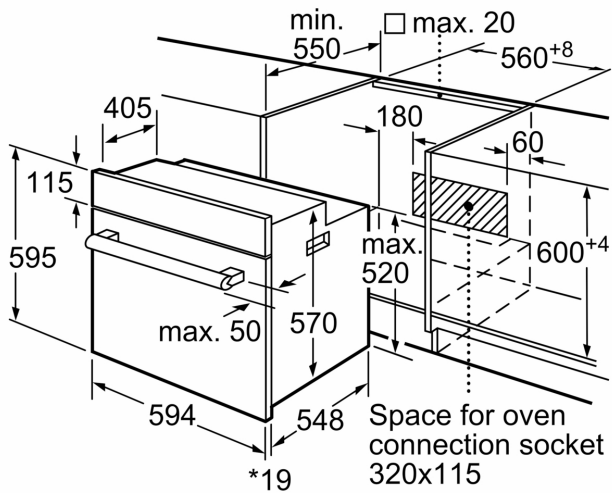
Accessories

- 1 x universal pan, 1 x combination grid, 1 x insert grid

Performance/technical information

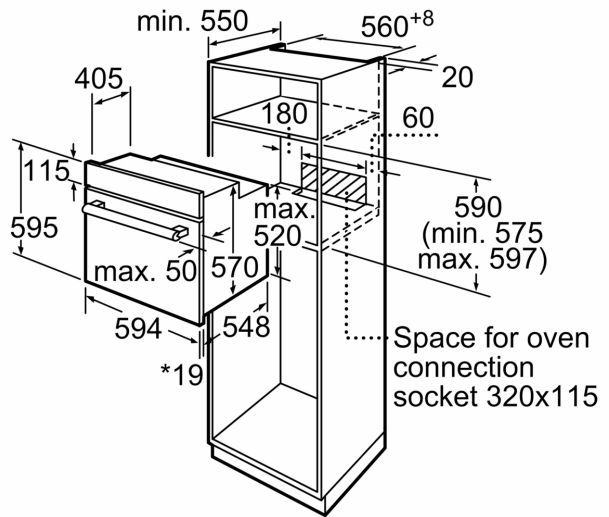
- Cavity volume: 66 litre
- Temperature range 50 °C - 275 °C
- 110 cm Cable length
- Total connected load electric: 2.4 KW
- Nominal voltage: 220 - 240 V
- Appliance dimension (hxwxd): 595 mm x 594 mm x 548 mm
- Niche dimension (hxwxd): 575 mm - 597 mm x 560 mm - 568 mm x 550 mm
- Ventilation requirements – please refer to the installation manual prior to fitting

**Series 2, 60 x 60 cm, Stainless steel
HHF113BR0B**



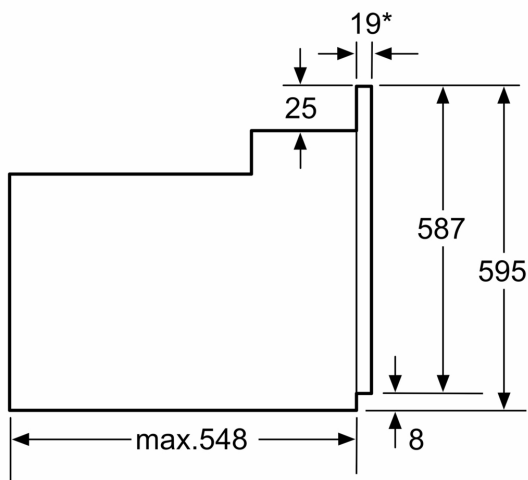
* 20 mm for metal fascias

measurements in mm



* 20 mm for metal fascias

measurements in mm



* 20 mm for metal fascias

Dimensions in mm