

**Series 2, Built-in oven, 60 x 60 cm,
Stainless steel
HBN231E0B**



The built-in oven with special hot air function: you achieve perfect baking and roasting results on up to two levels simultaneously.

Technical Data

Built-in / Free-standing: Built-in
 Integrated Cleaning system: No
 Required niche size for installation (HxWxD): 575-597 x 560-568 x 550 mm
 Dimensions: 595x595x548 mm
 Dimensions of the packed product (HxWxD): 668 x 665 x 675 mm
 Control Panel Material: Metal
 Door Material: Glass
 Net weight: 32.8 kg
 Usable volume (of cavity) - cavity 1: 66 l
 Cooking method: Conventional heat, Bottom heat, Hot air grilling, Circulating air, Full width variable grill, Half width variable grill
 Oven control: mechanical
 EAN code: 4242002899572
 Number of cavities (2010/30/EC): 1
 Energy efficiency rating: A
 Energy consumption per cycle conventional (2010/30/EC): 0.96 kWh/cycle
 Energy consumption per cycle forced air convection (2010/30/EC): 0.88 kWh/cycle
 Energy efficiency index (2010/30/EC): 106.0 %
 Connection rating: 2800 W
 Fuse protection: 13 A
 Voltage: 220-240 V
 Frequency: 50; 60 Hz
 Plug type: no plug (electrical connection by electrician), fixed connection (electrical connection by electrician)
 Included accessories: 1 x insert grid, 1 x combination grid, 1 x universal pan

Included accessories

1 x insert grid, 1 x combination grid, 1 x universal pan

Optional accessories

- HEZ430001 Alu baking tray
- HEZ431001 Enamel baking tray
- HEZ432001 Universal pan
- HEZ434000 Combination grid



Series 2, Built-in oven, 60 x 60 cm, Stainless steel HBN231E0B

The built-in oven with special hot air function: you achieve perfect baking and roasting results on up to two levels simultaneously.

Key Information

- Mechanical control
- Drop down door

Design

- Rotary dial
- Straight bar handle

Features

- Electronic clock timer
- 1 interior light
- Round light
- Control panel lock
- Cavity inner surface: Enamel
- Smooth enamelled oven interior
- 4 shelf positions
- Full glass inner door

Programmes/functions

- Oven with Multifunction oven with 6 cooking functions: heating methods: conventional top and bottom heat, Hotair grilling, bottom heat, Circulating air, full width variable grill, half width variable grill

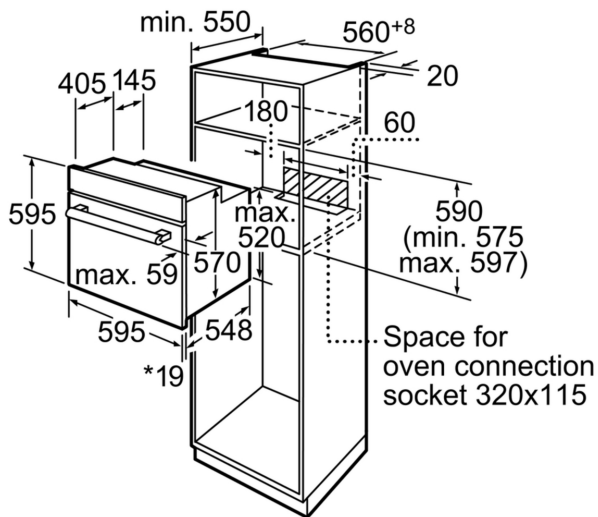
Performance/technical information

- Temperature range 50 °C - 270 °C
- Cavity volume: 66 litre
- Integral cooling fan
- Total connected load electric: 2.8 KW
- Appliance dimension (hxwxd): 595 mm x 595 mm x 548 mm
- Niche dimension (hxwxd): 575 mm - 597 mm x 560 mm - 568 mm x 550 mm
- Please refer to the dimensions provided in the installation manual
- Maximum window temperature 50° C
- Energy efficiency rating (acc. EU Nr. 65/2014): A Energy consumption per cycle in conventional mode: 106 Energy consumption per cycle in fan-forced convection mode: 0.88 kWh
Number of cavities: 1 Cavity volume: 66 litre

Standard accessories

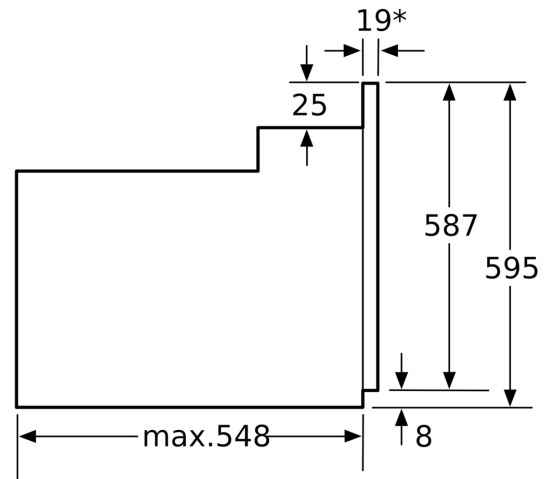
- 1 x insert grid, 1 x combination grid, 1 x universal pan

**Series 2, Built-in oven, 60 x 60 cm,
Stainless steel
HBN231E0B**



*20 mm for metal fascias

Measurements in mm



* 20 mm for metal fascias

Dimensions in mm