

**Series 8, Built-in oven, 60 x 60 cm,  
Stainless steel  
HBG672BS1B**



**Included accessories**

2 x combination grid, 1 x universal pan

**Optional accessories**

HEZ324000 Inlaid wire shelf for multipurpose pan, HEZ327000 Pizza stone, HEZ617000 Pizza pan, enamelled, HEZ625071 Grill tray, anthracite, HEZ631070 Baking tray, enamelled, HEZ632070 Multipurpose pan, enamelled, HEZ633001 Lid for professional pan, enamelled, HEZ633070 Professional pan, enamelled, HEZ634000 Baking and roasting grid (standard), HEZ636000 Glass pan, HEZ638170 1 level telescopic rail, full ext, pyro, HEZ638270 2 level telescopic rails, full ext,pyro, HEZ638370 3 level telescopic rails, full ext,pyro, HEZ660050 Cover Strip, HEZ6BCA0 Cookbook, HEZ864000 Glass tray, HEZ9020 Conversion cabinet, HEZ9041 Conversion cabinet, HEZ915001 Glass roasting dish, 5,1 L

**The built-in oven: you get perfect baking and roasting results.**

- **4D Hotair:** even heat distribution for perfect results – on any level.
- **TFT display control:** easy-to-use thanks to the control ring with full text and symbols.
- **Pyrolytic self-cleaning:** Automatically cleans the oven, just wipe out the ash.
- **Drop Down door with SoftOpen and SoftClose:** the oven door opens and closes gently and quietly
- **Fast pre heating**

**Technical Data**

Built-in / Free-standing: ..... Built-in  
 Integrated Cleaning system: ..... Pyrolytic  
 Min. required niche size for installation (HxWxD): 585-595 x 560-568 x 550 mm  
 Dimensions: ..... 595 x 595 x 548 mm  
 Dimensions of the packed product (HxWxD): ..... 670 x 670 x 680 mm  
 Control Panel Material: ..... Stainless steel  
 Door Material: ..... Glass  
 Net weight: ..... 37.7 kg  
 Usable volume (of cavity) - cavity 1: ..... 71 l  
 Cooking method: ..... 4D Hotair, Defrost, Full width grill, Hot Air-Eco, Conventional heat, Conventional heat ECO, Pizza setting, Hot air grilling  
 Oven control: ..... electronic  
 Number of interior lights: ..... 1  
 Length electrical supply cord: ..... 120.0 cm  
 EAN code: ..... 4242002881539  
 Number of cavities (2010/30/EC): ..... 1  
 Energy efficiency rating: ..... A+  
 Energy consumption per cycle conventional (2010/30/EC): ..... 0.87 kWh/cycle  
 Energy consumption per cycle forced air convection (2010/30/EC): 69 kWh/cycle  
 Energy efficiency index (2010/30/EC): ..... 81.2 %  
 Connection rating: ..... 3600 W  
 Fuse protection: ..... 16 A  
 Voltage: ..... 220-240 V  
 Frequency: ..... 50; 60 Hz  
 Plug type: ..... no plug (electrical connection by electrician)  
 Included accessories: ..... 2 x combination grid, 1 x universal pan



## Series 8, Built-in oven, 60 x 60 cm, Stainless steel HBG672BS1B

### The built-in oven: you get perfect baking and roasting results.

---

#### Key Information

- 2.5"-TFT colour and text display with direct select buttons
- Drop down door, SoftClose, SoftOpen
- Digital temperature display with proposal
- Actual temperature display Heating-up indicator
- Automatic programmes
- Pyrolytic self-cleaning function
- Pyrolytic proof baking tray

#### Design

- Bosch control wheel
- Straight bar handle

#### Features

- Electronic clock timer
- Main on/off switch
- 1 interior light
- Interior halogen light, Light on/off when oven door opened/closed
- Light on/off when oven door opened/closed
- Control panel lock
- Automatic safety switch off Residual heat indicator Start button  
Door contact switch
- Cavity inner surface: enamel anthracite
- Removable wire shelf support rails
- 5 shelf positions
- Full glass inner door
- Info button

#### Programmes/functions

- Oven with 8 cooking functions:, 8 cooking functions: heating  
methods: 4D Hotair, Hotair Gentle, conventional top and bottom  
heat, conventional heat Gentle, Hotair grilling, full width variable  
grill, pizza function, defrost
- Fast pre-heating function

#### Performance/technical information

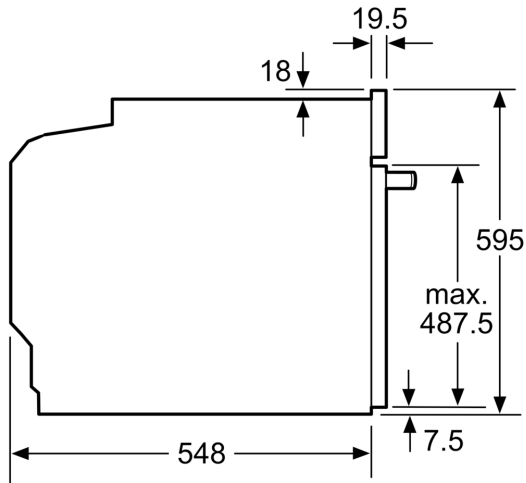
- Temperature range 30 °C - 275 °C
- Cavity volume: 71 litre capacity
- Integral cooling fan
- Stainless-steel fan
- 120 cm Cable length
- Total connected load electric: 3.6 KW
- Appliance dimension (hxwxd): 595 mm x 595 mm x 548 mm
- Niche dimension (hxwxd): 585 mm - 595 mm x 560 mm - 568 mm x  
550 mm
- Please refer to the dimensions provided in the installation manual
- Maximum window temperature 30° C
- Energy efficiency rating (acc. EU Nr. 65/2014): A+
- Energy consumption per cycle in conventional mode:81.2
- Energy consumption per cycle in fan-forced convection mode:0.69  
kwh

- Number of cavities: 1 Cavity volume:71 litre capacity

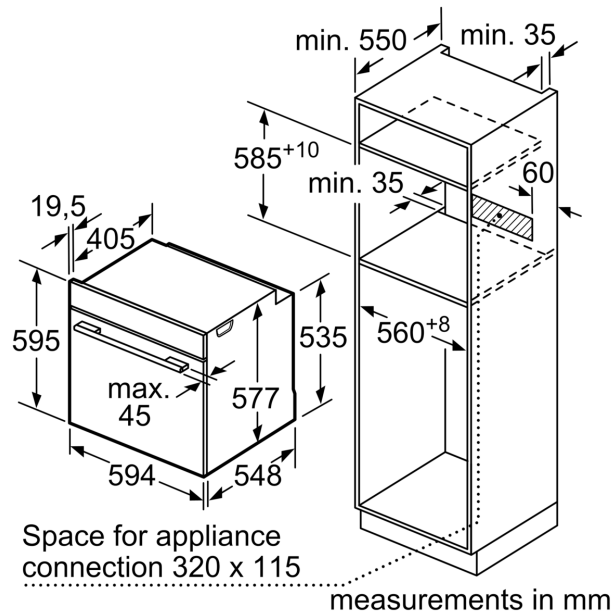
#### Standard accessories

- Available as an additional accessory
- 2 x combination grid, 1 x universal pan

**Series 8, Built-in oven, 60 x 60 cm,  
Stainless steel  
HBG672BS1B**



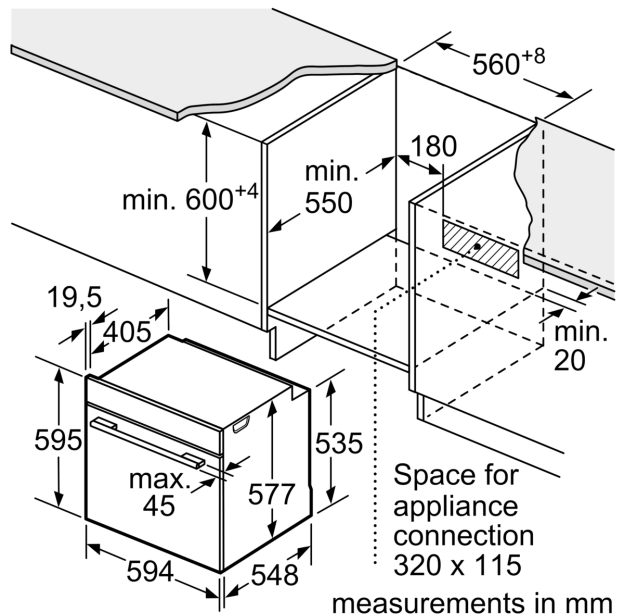
measurements in mm



measurements in mm

If the appliance will be installed underneath a hob, the following worktop thicknesses (including substructure if necessary) must be taken into account.

Hob type	min. worktop thickness	
	fitted	flush
Induction hob	37 mm	38 mm
Full surface Induction hob	47 mm	48 mm
Gas hob	30 mm	38 mm
Electric hob	27 mm	30 mm



measurements in mm