

**Series 6, Built-in oven, 60 x 60 cm,
Black
HBG539BB6B**



**The built-in oven with AutoPilot:
automatically prepares perfect dishes.**

- **3D Hotair:** even heat distribution for perfect results on up to three levels.
- **AutoPilot 40:** every dish is a perfect success thanks to 40 pre-set automatic programmes.
- **TFT display control:** easy-to-use thanks to display with full text and symbols.
- **Pop-out controls:** Make the front of the oven easy to clean and give it a sleek look.
- **EcoClean Direct:** less cleaning effort thanks to a special coating of the rear wall that automatically absorbs grime.

2 x combination grid, 1 x universal pan

HEZ327000 Pizza stone, HEZ32WA00 Wireless food thermometer, HEZ530000 Half tray, HEZ531010 Baking tray, non-stick ceramic coated, HEZ532010 Universal pan, non-stick ceramic coated, HEZ538000 1fold telescopic rail, level independent, HEZ617000 Pizza pan, enamelled, HEZ629070 Air Fry & Grill tray, HEZ631070 Baking tray, enamelled, HEZ632070 Multipurpose pan, enamelled, HEZ633001 Lid for professional pan, enamelled, HEZ633070 Professional pan with grid, enamelled, HEZ634000 Baking and roasting grid, HEZ636000 Glass pan, HEZ638000 Full ext rails, level independent, HEZ660050 Cover Strip, HEZ664000 Baking and roasting grid, steam, HEZ915003 Glass roasting dish, 5,4 L

Built-in / Free-standing: Built-in
 Integrated Cleaning system: ..EcoClean Direct programme, Hydrolytic
 Required niche size for installation (HxWxD):585-595 x 560-568 x 550 mm
 Dimensions: 595x594x548 mm
 Dimensions of the packed product (HxWxD): 675 x 660 x 690 mm
 Control Panel Material: Glass
 Door Material: Glass
 Net weight:36.7 kg
 Usable volume (of cavity) - cavity 1:71 l
 Cooking method:Defrost, Full width grill, Hotair gentle, Hot Air, Intensive heat, Half width grill, Conventional heat, Pizza setting, low temperature cooking, Bottom heat, Hot air grilling, pre-heating, warming
 Oven control: electronic
 Number of interior lights: 1
 Length electrical supply cord: 120.0 cm
 EAN code: 4242005343744
 Number of cavities (2010/30/EC): 1
 Energy efficiency rating:A
 Energy consumption per cycle conventional (2010/30/EC):0.97 kWh/cycle
 Energy consumption per cycle forced air convection (2010/30/EC):81 kWh/cycle
 Energy efficiency index (2010/30/EC): 95.3 %
 Connection rating: 2990 W
 Fuse protection: 13 A
 Voltage: 220-240 V
 Frequency: 50; 60 Hz
 Plug type: no plug (electrical connection by electrician)
 Included accessories:2 x combination grid, 1 x universal pan



Series 6, Built-in oven, 60 x 60 cm, Black HBG539BB6B

The built-in oven with AutoPilot: automatically prepares perfect dishes.

Features

- Oven with 13 cooking functions heating methods: 3D Hotair, conventional top and bottom heat, Hotair grilling, full width variable grill, half width grill, pizza function, bottom heat, intensive heat, low temperature cooking, defrost, plate warming, keep warm, Hotair gentle
- Temperature range 30 °C - 275 °C
- Cavity volume: 71 litre capacity

Level independent telescopic rails

- 5 shelf positions
- Available as an additional accessory

Design

- Rotary dial, Retractable control dials, round
- Extra large capacity oven with grey enamel

Cleaning

- EcoCleanDirect : back panel
- Cleaning Assistance: hydrolyse manual
- Full glass inner door

Programmes/functions

- BE54
- Electronic clock timer
- Digital temperature display with proposal
- Actual temperature display Heating-up indicator AutoPilot Automatic start
- AutoPilot, 40
- Drop down door, SoftClose, SoftOpen
- Straight bar handle
- Automatic programmes
- Fast pre-heating function
- Interior halogen light, Light on/off when oven door opened/closed
- Integral cooling fan
- Info button
- Home Connect ready

Accessories

- 2 x combination grid, 1 x universal pan

Features

- Maximum window temperature 40° C
- Control panel lock
- Automatic safety switch off Residual heat indicator Door contact switch

Technical information

- 120 cm Cable length
- Nominal voltage: 220 - 240 V
- Total connected load electric: 2.99 KW
- Energy efficiency rating (acc. EU Nr. 65/2014): A
- Energy consumption per cycle in conventional mode:0.97 kWh

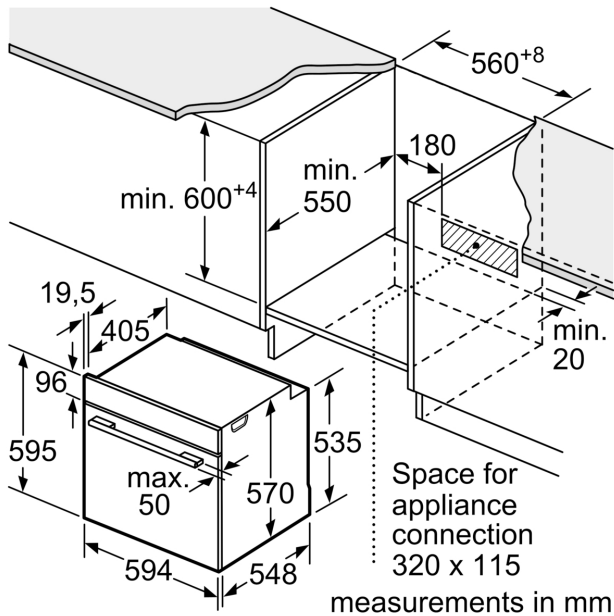
- Energy consumption per cycle in fan-forced convection mode:0.81 kWh

- Number of cavities: Main cavity Heat source: electrical Cavity volume:71 litre capacity

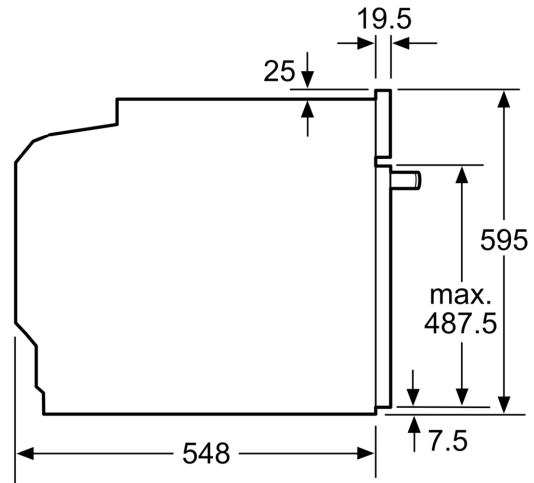
Performance/technical information

- Appliance dimension (hxwx): 595 mm x 594 mm x 548 mm
- Niche dimension (hxwx): 585 mm - 595 mm x 560 mm - 568 mm x 550 mm
- Please refer to the dimensions provided in the installation manual
- We recommend you to choose complementary products within SER6, in order to assure an optimal design combination of your Built-In appliances.

**Series 6, Built-in oven, 60 x 60 cm,
Black
HBG539BB6B**

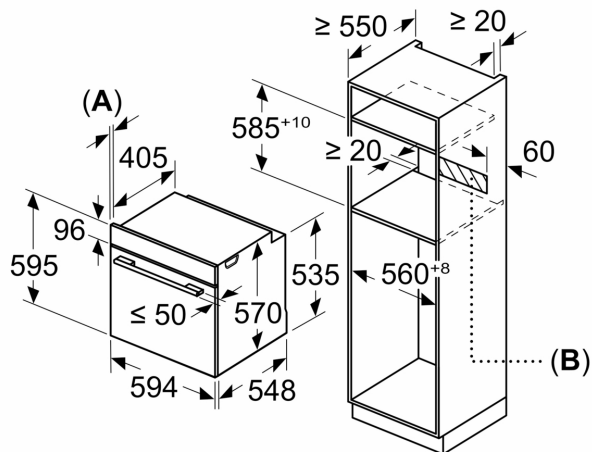


measurements in mm



measurements in mm

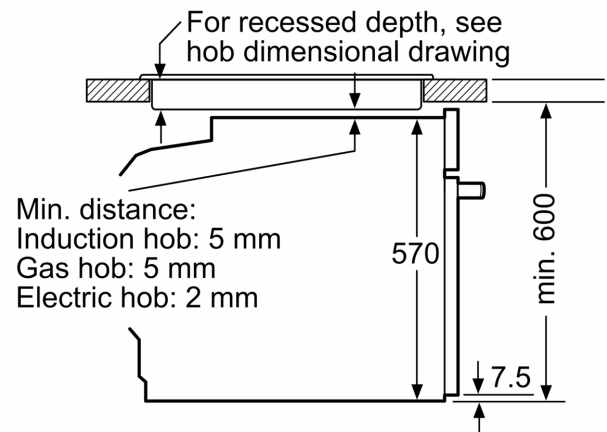
Measurements in mm



A: 19.5 mm

B: Space for appliance connection 320 x 115 mm

Installation with a hob.



measurements in mm