

**Series 6, built-in freezer, 177.2 x 55.8 cm, flat hinge
GIN81AE30G**



A++



The NoFrost freezer with electronic temperature control: set the target temperature precisely and easily.

- **VarioZone:** more flexibility due to variable-use glass shelves and drawers in the freezer compartment.
- **NoFrost:** never defrost again, thanks to perfect protection from ice formation - that saves time and effort.
- **Big Box drawer:** for stacking storage containers or for large frozen food items.
- **Intelligent Inverter Technology:** ensuring stable temperature control and efficient performance.
- **SuperFreezing:** Protects frozen food from defrosting.

Technical Data

Thermometer freeze section: Digital
 Light: No
 Product category: Upright freezer
 Built-in / Free-standing: Built-in
 Door panel options: Not possible
 Frost free system: Fridge and freezer
 Height of the appliance: 1772 mm
 Width of the appliance: 558 mm
 Depth: 545 mm
 Dimensions of the packed product (HxWxD): ... 1840 x 610 x 640 mm
 Net weight: 68.1 kg
 Gross weight: 73.3 kg
 Connection rating: 120 W
 Fuse protection: 13 A
 Frequency: 50 Hz
 Length electrical supply cord: 230.0 cm
 Door hinge: Left reversible
 Warning signal / malfunction: Both visual and audible
 Door lock: No
 Number of drawers/baskets (Stck): 5
 Number of freezing flaps (Stck): 2
 EAN code: 4242002898834
 Brand: Bosch
 Product name / Commercial code: GIN81AE30G
 Product category: Upright freezer
 Included accessories: 2 x cold accumulator, 1 x ice cube tray



Series 6, built-in freezer, 177.2 x 55.8 cm, flat hinge GIN81AE30G

The NoFrost freezer with electronic temperature control: set the target temperature precisely and easily.

Performance and Consumption

- Energy Efficiency Class: A++
- Energy consumption: 1 kWh/24 hours
- Energy consumption: 243 kWh kWh/yr.
- Total net capacity: 211 litres
- Noise level dB(A) re 1 pW: 36

Design features

- Full frost free, never have to defrost ever again
- Door left hinged, reversible door
- Fixed hinge
- LED Electronic control

Food freshness system

- FreshSense - Constant temperature control by intelligent sensor technology

Key features - Freezer section

- 4 star freezer rating
- Vario Zone - removable safety glass shelves for extra space!
- 5 freezer drawers
- 2 freezer flaps with glass shelves
- 1 compressor/1 cooling circuit
- SuperFreezing function with automatic deactivation
- Freezing capacity in 24 hours: 20 kg
- Maximum freezer storage time in power failure: 22 hours

Functions

- Acoustic door open warning system
- Freezer malfunction warning signal: optical, acoustical

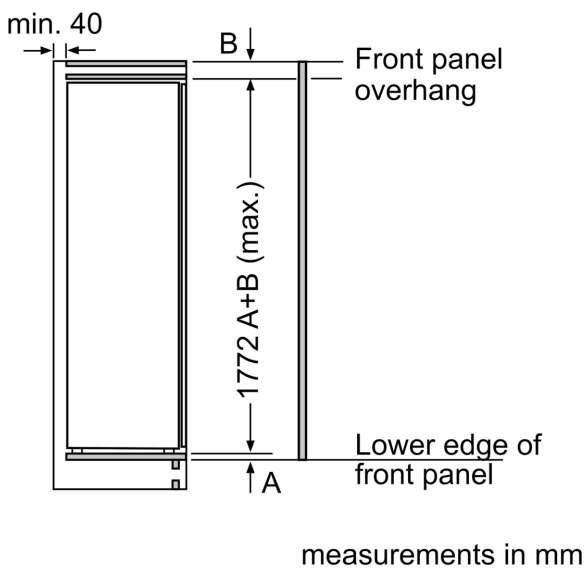
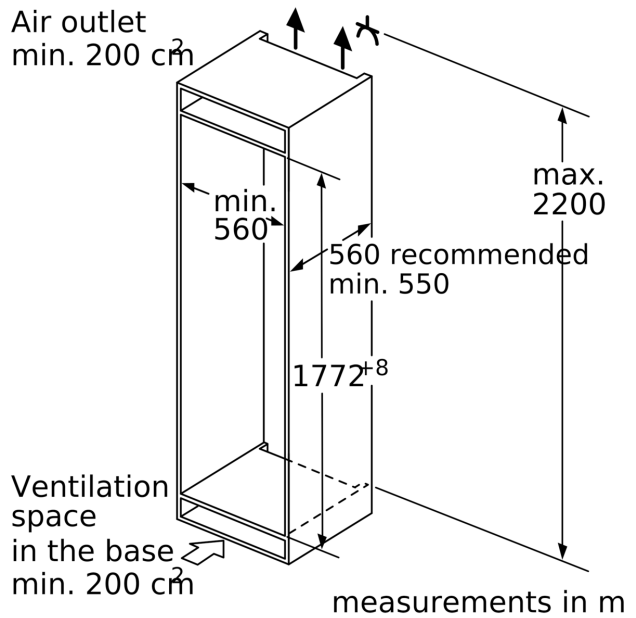
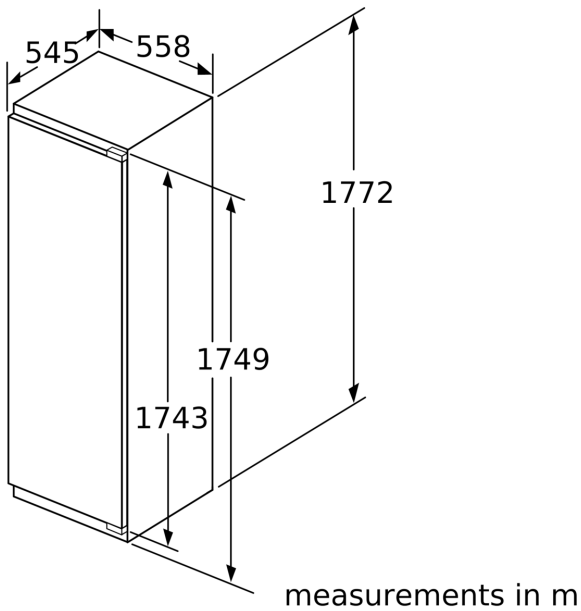
Accessories

- cold accumulator, ice cube tray

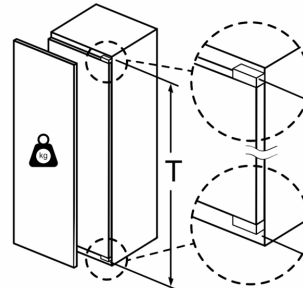
Dimension and installation

- Climate class SN-T (suitable for ambient temperatures between 10 and 43°C)
- Connection value 120 W
- Dimensions: 177.2 cm H x 55.8 cm W x 54.5 cm D
- Niche Dimensions: 177.5 cm H x 56 cm W x 55 cm D

**Series 6, built-in freezer, 177.2 x 55.8 cm, flat hinge
GIN81AE30G**



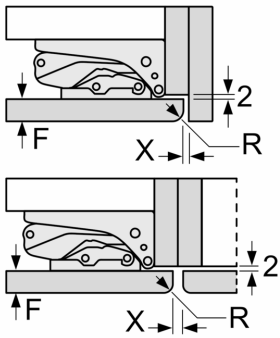
Maximal permissible weight of the unit fronts



Fitted kitchen unit doors that exceed the permissible weight may cause damage and result in functional impairment of the hinges.

T: Includes height of appliance door Hinges in mm:	undamped hinge, Door in kg:	damped hinge, Door in kg:
1500-1750	22	22

measurements in mm
 Recommended gap dimensions for flat hinges



F	R	X
16-19	0-3	2.5
20	0-1	3
	2-3	2.5
21	0-1	3
	2-3	2.5
22	0	4
	1	3.5
	2-3	3

The gap dimensions recommended in the table must be adhered to in order to ensure that appliance doors do not collide with anything when they are opened, and to avoid causing damage to kitchen units.