

## Chimney extension, 1000 mm DWZ0AX5K0



- **Stainless steel**
- **Extension 1000 mm (telescopic part) for wall chimney hood**
- **Max. 530 mm extension of the appliance possible**
- **Suitable for ducted and re-circulated extraction**
- **Extension with recirculation slots**

---

### Technical Data

Dimensions of the packed product (HxWxD): ... 370 x 520 x 1190 mm  
Pallet dimensions: ..... 172.0 x 80.0 x 120.0  
Standard number of units per pallet: ..... 6  
Net weight: ..... 4.5 kg  
Gross weight: ..... 9.8 kg  
EAN code: ..... 4242002966519

---



## **Chimney extension, 1000 mm DWZ0AX5K0**

---

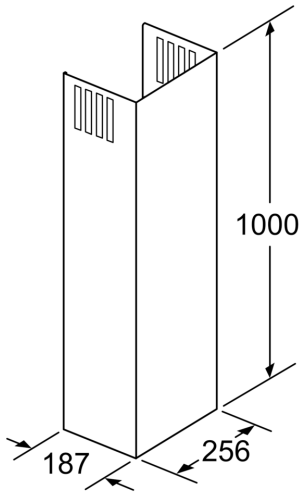
- Stainless steel

### **Optional accessories**

- Extension 1000 mm (telescopic part) for wall chimney hood
- Max. 530 mm extension of the appliance possible
- Suitable for ducted and re-circulated extraction
- Extension with recirculation slots

**Chimney extension, 1000 mm**  
**DWZ0AX5K0**

---



measurements in mm