

**wall-mounted cooker hood, 60 cm,
Black
DWW062460B**



Technical Data

Color chimney :	Black
Typology :	Chimney
Approval certificates :	CE, VDE
Length electrical supply cord (cm) :	130
Height of the chimney (mm) :	553-730/553-730
Height of product, without chimney (mm) :	240
Minimum distance above an electric hob :	550
Minimum distance above a gas hob :	650
Net weight (kg) :	10.418
Type of control :	mechanical
Number of speed settings :	3
Maximum output recirculating air (m ³ /h) :	290
Number of lights :	2
Diameter of air outlet (mm) :	120
Grease filter material :	Washable aluminium
EAN code :	4242002494883
Connection Rating (W) :	260
Voltage (V) :	220-240
Frequency (Hz) :	50
Plug type :	GB plug
Installation typology :	Wall-mounted



wall-mounted cooker hood, 60 cm, Black DWW062460B

Design

- 60 cm wide
- Designed for wall mounted installation
- Height adjustable chimney sections

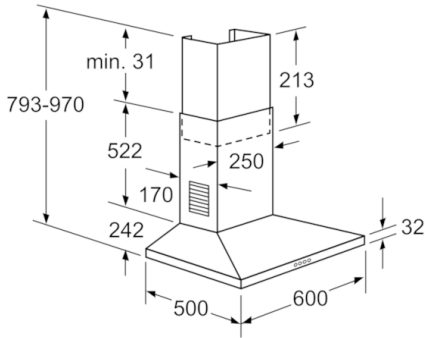
Features

- Rocker switch control for extractor speeds and light
- 3 power levels
- 2 x bulbs
- 2 metal grease filter cassettes

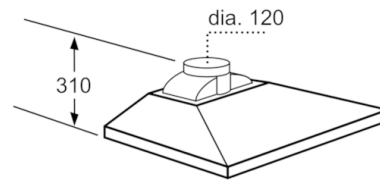
Performance/technical information

- Suitable for ducted or recirculating operation
- Extraction rate according to EN 61591: max. 400 m³/h
- Extractor hose 120 mm
- Noise level according to EN 60704-3 and EN 60704-2-13 at maximum normal setting: extraction rate: 67 dB(A) re 1 pW (53 dB(A) re 20 µPa sound pressure)
- Recirculating kit DHZ5145

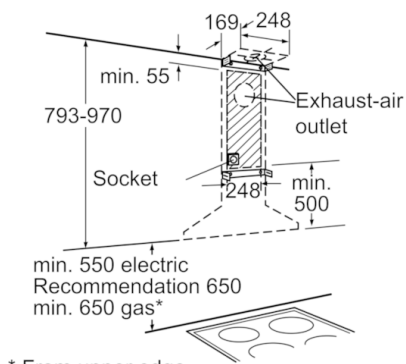
**wall-mounted cooker hood, 60 cm, Black
DWW062460B**



Measurements in mm

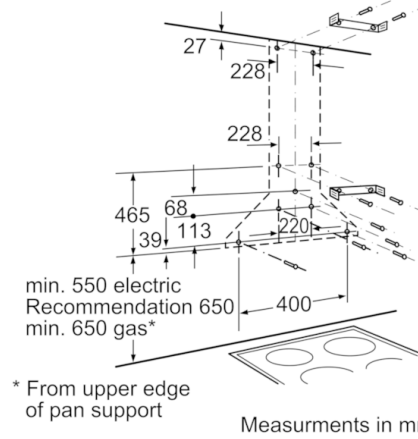


Measurements in mm



* From upper edge of pan support

Measurements in mm



* From upper edge of pan support

Measurements in mm