

**Series 8, Wall-mounted cooker hood,
90 cm, Clear glass black printed
DWK98PR60B**



A+



**Angled hood: perfect for keeping an eye
on your pots and pans.**

- **PerfectAir sensor:** automatic extractor control for high performance with low noise.
- **Extra silent:** the high-performance hood, with minimal noise.
- **Easy-to-clean interior:** hidden screws and cables along with rounded edges make cleaning easy.
- **Manage your appliances with your voice, thanks to the Amazon Alexa voice control.***
- **Cooktop-based hood control: use the hob to control your hood.**

Technical Data

Typology:	Wall-mounted
Length electrical supply cord:	130.0 cm
Height of the appliance:	323 mm
Minimum distance above an electric hob:	450 mm
Minimum distance above a gas hob:	650 mm
Net weight:	21.6 kg
Type of control:	Electronic
Number of speed settings:	3-stage + 2 intensive
Max. air extraction:	468 m ³ /h
Boost position output recirculating:	460 m ³ /h
Max. air recirculation:	378 m ³ /h
Boost position air extraction:	837 m ³ /h
Maximum Air flow:	468 m ³ /h
Number of lights:	2
Noise level:	55 dB(A) re 1 pW
Diameter of air outlet:	120 / 150 mm
Grease filter material:	Washable aluminium
EAN code:	4242002966748
Connection rating:	166 W
Fuse protection:	10 A
Voltage:	220-240 V
Frequency:	50; 60 Hz
Plug type:	GB plug
Installation typology:	Wall-mounted
Delay Shut off modes:	10 min

Optional accessories

DWZ0AX5L0	Chimney extension 1500 mm
DWZ1AK1B6	Clean Air Plus odor filter (replacement)
DWZ1AK1I6	Clean Air Plus recirculation kit
DWZ1AK1V6	Clean Air Plus recirc. kit (chimless)
DZZ0XX0P0	Long Life odor filter (replacement)
DZZ1XX1B6	Clean Air Plus odor filter (replacement)
DWZ1AX5C6	Clean Air Plus recirc. kit external
DWZ1AX6E1	Chimney standard black
DWZ0AK0S0	Long Life recirculation kit
DWZ0AX5K0	Chimney extension 1000 mm
DWZ0AK0R0	Long Life recirculation kit (chimless)



Series 8, Wall-mounted cooker hood, 90 cm, Clear glass black printed DWK98PR60B

Angled hood: perfect for keeping an eye on your pots and pans.

Key performance features:

- Energy Efficiency Class: A+ (at a range of energy efficiency classes from A+++ to D)
- Extraction rate according to EN 61591 \varnothing 15 cm:
 - max. Normal use 467 m³/h
 - Intensive 837 m³/h
- Noise max. Normal Level: 55 dB*

Features

Home Connect: Remote Monitoring and Control

- PerfectAir sensor
- Hob based hood control
- TouchControl with lightline
- 3 power levels and 2 intensive settings
- 2 x 3W LED light
- Colour Temperature: 3500 K
- Dimmer function
- Efficient BLDC-technology
- Automatic after running (10 min)
- Automatic intensive revert (6mins)
- 2 metal grease filter cassettes
- Saturation indicator for metal and charcoal filter
- Additional noise reduction insulation
- easy to clean Inner frame
- Designed for wall mounted installation
- Rim ventilation

Design

- Chimney extractor hood
- TouchControl
- Electronic control

Performance/technical information

- Suitable for ducted or recirculating operation
- For recirculated extraction recirculating kit or CleanAir recirculating kit (accessory) needed
- Installation system: Wall fixing inclined/flat/cube
- Extraction rate according to EN 61591 max. 467 m³/h
- Noise level according to EN 60704-3 and EN 60704-2-13 at max. normal use exhaust air: 55 dB(A) re 1 pW
- Noise level according to EN 60704-3 and EN 60704-2-13 exhaust air:
 - Max. normal use: 55 dB(A) re 1 pW
 - Intensive: 67 dB(A) re 1 pW
- Noise level according to EN 60704-3 and EN 60704-2-13 at maximum normal setting: extraction rate: 55 dB (A) re 1 pW
- Light Intensity: 519 lux
- Electrical cable length 1.3 m
- Diameter pipe \varnothing 150 mm (\varnothing 120 mm enclosed)
- Dimensions exhaust air (HxWxD): 957-1227 x 894 x 548 mm

- Dimensions recirculating (HxWxD): 1017-1287 x 894 x 548 mm
- Dimensions recirculating with CleanAir module (HxWxD):
 - 1147 x 894 x 548 mm - mounting with outer chimney
 - 1217-1487 x 894 x 548 mm - mounting with telescopic chimney
- Blower Efficiency Class: A*
- Lighting Efficiency Class: A*
- Grease Filtering Efficiency Class: B*
- Average Energy Consumption: 31.5 kWh/year*

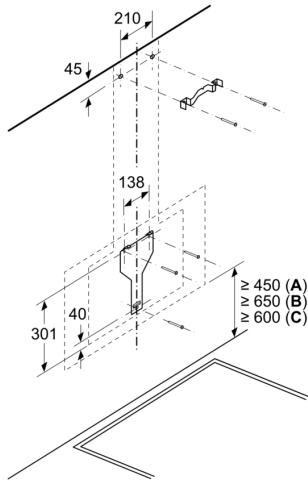
Optional accessories

- Recirculating kit DWZ0AX5L0

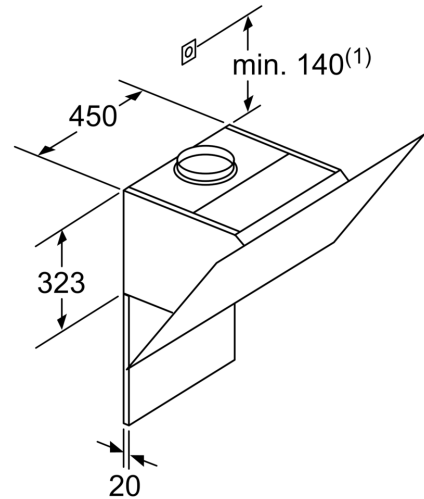
* In accordance with the EU-Regulation No 65/2014

**Series 8, Wall-mounted cooker hood,
90 cm, Clear glass black printed
DWK98PR60B**

Measurements in mm



- A: Electric
- B: Gas - from upper edge of pan support
- C: Electric - for Australia and New Zealand

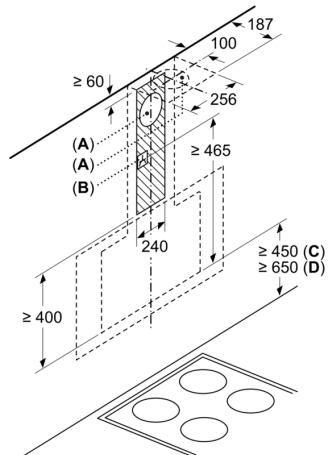


(1) Position of socket

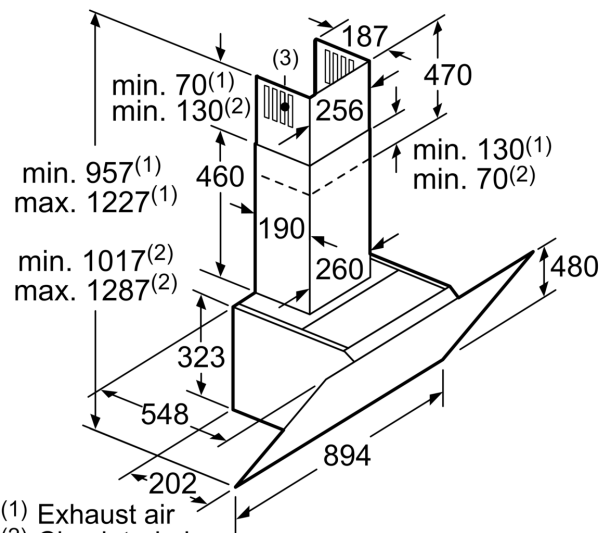
Note the maximum thickness of the back panel.

measurements in mm

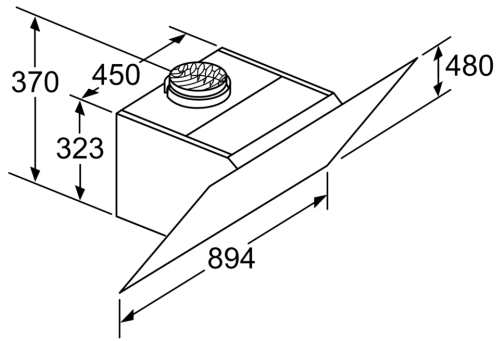
Measurements in mm



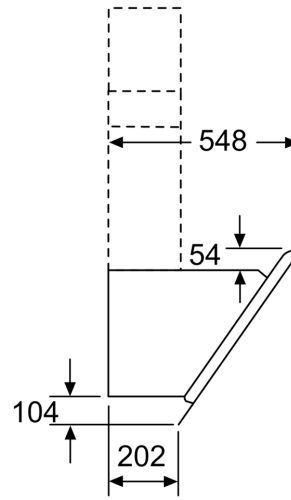
- A: Exhaust air
 - B: Socket
- From upper edge of pan support
- C: Electric
 - D: Gas



- (1) Exhaust air
 - (2) Circulated air
 - (3) Air outlet – slot for exhaust air to be mounted facing down
- measurements in mm



Appliance in circulated air mode
without duct
Circulated air set required
measurements in mm



measurements in mm