

**Series 2, Wall-mounted cooker hood,  
80 cm, Black  
DWK87EM60B**



**B**



- **Especially silent:** maximum hood performance, minimum noise.
- **TouchSelect control:** Quickly select hood settings via touch.
- **Intensive speed setting:** removes strong kitchen odours quickly and effectively.

Typology: .....Wall-mounted  
 Length electrical supply cord: ..... 130.0 cm  
 Height of the chimney: ..... 484-770/554-830 mm  
 Height of the appliance: ..... 296 mm  
 Minimum distance above an electric hob: ..... 450 mm  
 Minimum distance above a gas hob: .....650 mm  
 Net weight: ..... 14.4 kg  
 Type of control: .....Electronic  
 Number of speed settings: ..... 3-stages + intensive setting  
 Max. air extraction: ..... 399 m<sup>3</sup>/h  
 Boost position output recirculating: .....474 m<sup>3</sup>/h  
 Max. air recirculation: ..... 349 m<sup>3</sup>/h  
 Boost position air extraction: ..... 669 m<sup>3</sup>/h  
 Maximum Air flow: .....399 m<sup>3</sup>/h  
 Number of lights: ..... 2  
 Noise level: .....60 dB(A) re 1 pW  
 Diameter of air outlet: ..... 120 / 150 mm  
 Grease filter material: .....Washable aluminium  
 EAN code: .....4242005199730  
 Connection rating: ..... 255 W  
 Fuse protection: .....10 A  
 Voltage: ..... 220-240 V  
 Frequency: ..... 50; 60 Hz  
 Plug type: .....GB plug  
 Installation typology: .....Wall-mounted

DHZ1225	Chimney extension 1000 mm
DHZ1235	Chimney extension 1500 mm
DHZ5276	Standard odor filter (replacement)
DHZ9550	Brushed steel back panel
DHZ9551	Brushed steel back panel
DWZ0XX0J0	Long Life recirculation kit
DWZ1DX1I6	Clean Air Plus recirculation kit
DWZ1EK1U1	Standard recirculation kit
DWZ1FX5C6	Clean Air Plus recirc. kit external
DWZ1FX5D1	Long Life recirculation kit external
DZZ0XX0P0	Long Life odor filter (replacement)
DZZ1XX1B6	Clean Air Plus odor filter (replacement)



## Series 2, Wall-mounted cooker hood, 80 cm, Black DWK87EM60B

\* In accordance with the EU-Regulation No 65/2014

### Key performance features:

- Energy Efficiency Class: B (at a range of energy efficiency classes from A+++ to D)
- Extraction rate according to EN 61591 ø 15 cm:
  - max. Normal use 399 m<sup>3</sup>/h
  - Intensive 669 m<sup>3</sup>/h
- Noise max. Normal Level: 60 dB\*
- TouchControl with Electronic display
- Electronic display
- 3 power levels & intensive setting
- 2 x 1.5W LED light
- Colour Temperature: 3500 K
- Automatic intensive revert (6mins)
- 2 metal grease filter cassettes
- Designed for wall mounted installation
- Rim ventilation

### Design

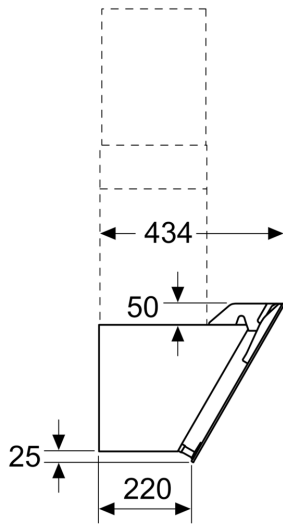
- Chimney extractor hood
- TouchControl
- Electronic control

### Performance/technical information

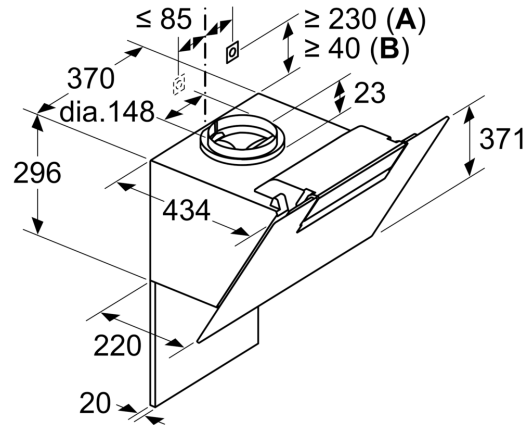
- Suitable for ducted or recirculating operation
- For recirculated extraction recirculating kit or CleanAir recirculating kit (accessory) needed
- Extraction rate according to EN 61591 max. 399 m<sup>3</sup>/h
- Noise level according to EN 60704-3 and EN 60704-2-13 at maximum normal setting: extraction rate: 60 dB (A) re 1 pW
- Noise level according to EN 60704-3 and EN 60704-2-13 at max. normal use exhaust air: 60 dB(A) re 1 pW
- Noise level according to EN 60704-3 and EN 60704-2-13 exhaust air:
  - Max. normal use: 60 dB(A) re 1 pW
  - Intensive: 69 dB(A) re 1 pW
- With the Clean Air Plus recirculation kit (available as optional accessory) your appliances reaches:
  - Extraction rate in recirculation mode: Max. normal use: 349 m<sup>3</sup>/h
  - Intensive: 474 m<sup>3</sup>/h
  - Noise level in recirculation mode: Max. normal use: 69 dB(A) re 1 pW
  - Intensive: 76 dB(A) re 1 pW
- Light Intensity: 114 lux
- Electrical cable length 1.3 m
- Diameter pipe Ø 150 mm (Ø 120 mm enclosed)
- Dimensions exhaust air (HxWxD): 780-1066 x 800 x 434 mm
- Dimensions recirculating (HxWxD): 850-1126 x 800 x 434 mm
- Dimensions recirculating with CleanAir module (HxWxD):
  - 956 x 800 x 434 mm - mounting with outer chimney
  - 1016-1306 x 800 x 434 mm - mounting with telescopic chimney
- Blower Efficiency Class: B\*
- Lighting Efficiency Class: A\*
- Grease Filtering Efficiency Class: C\*
- Average Energy Consumption: 59.4 kWh/year\*

**Series 2, Wall-mounted cooker hood,  
80 cm, Black  
DWK87EM60B**

measurements in mm



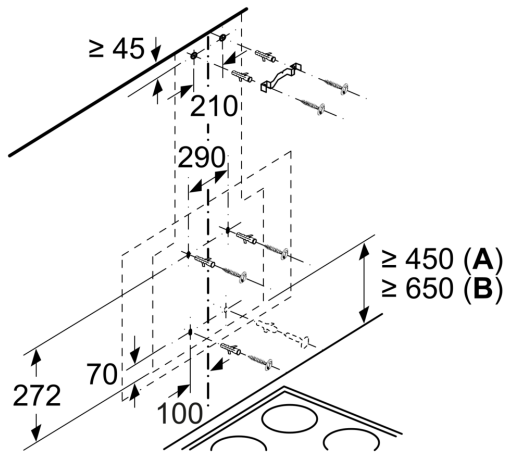
measurements in mm



**A:** Integrated Clean Air  
**B:** Exhaust air or standard circulated air set

Note the maximum thickness of the back panel.

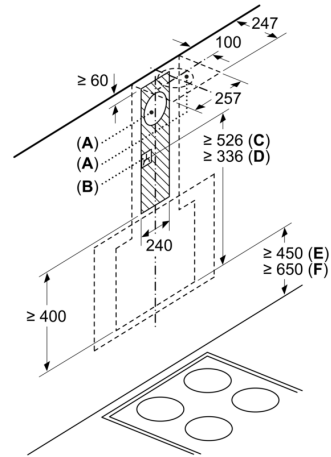
Measurements in mm



From upper edge of pan support

**A:** Electric  
**B:** Gas

Measurements in mm

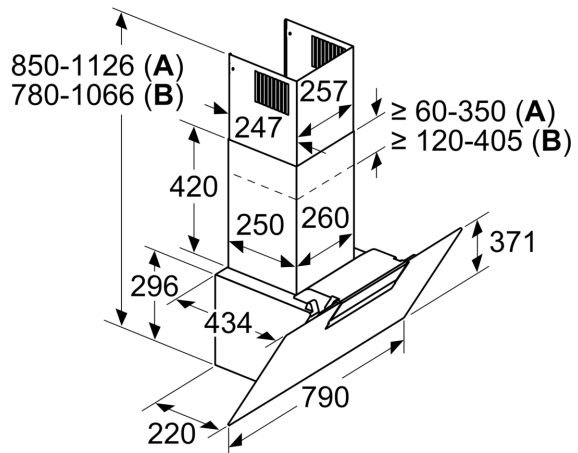


**A:** Exhaust-air outlet  
**B:** Socket  
**C:** Clean Air Plus circulated air kit  
**D:** Exhaust air or standard circulated air kit

From upper edge of pan support

**E:** Electric  
**F:** Gas

measurements in mm



- A:** Circulated air
- B:** Exhaust air - slots to be mounted facing down