

**Series 2, Wall-mounted cooker hood,
90 cm, Clear glass black printed
DWK095G60B**



DWA0LK6A carbon filter



Wall mounted chimney hoods add style and sophistication to the kitchen and give you complete freedom in your kitchen planning.

- **LED Illumination:** The energy-saving lighting provides bright and clear lighting for the hob area.
- **3-speed power Level options to suit your cooking style and recipes.**
- **Ducted or Non-ducted Options**

Typology:	Wall-mounted
Length electrical supply cord:	130.0 cm
Height of the appliance:	354 mm
Minimum distance above an electric hob:	470 mm
Minimum distance above a gas hob:	570 mm
Net weight:	11.8 kg
Type of control:	Electronic
Number of speed settings:	3
Max. air extraction:	629 m ³ /h
Max. air recirculation:	230 m ³ /h
Maximum Air flow:	629 m ³ /h
Number of lights:	2
Noise level:	67 dB(A) re 1pW
Diameter of air outlet:	120 / 150 mm
Grease filter material:	Washable aluminium
EAN code:	4242005176106
Connection rating:	216 W
Fuse protection:	10 A
Voltage:	220-240 V
Frequency:	50 Hz
Plug type:	GB plug
Installation typology:	Wall-mounted



Series 2, Wall-mounted cooker hood, 90 cm, Clear glass black printed DWK095G60B

Wall mounted chimney hoods add style and sophistication to the kitchen and give you complete freedom in your kitchen planning.

Key performance features:

- Energy Efficiency Class: C (at a range of energy efficiency classes from A+++ to D)
- Maximum extraction rate exhaust air 629 m³/h according to EN 61591
- Noise max. Normal Level: 67 dB*

Special features

- TouchControl with Electronic display
- 3 power levels
- 2 x LED lights
- Colour Temperature: 3000 K
- 2 metal grease filter cassettes
- Filter cover glass, Removable metal grease filters
- Rim ventilation

Design

- Chimney extractor hood
- Designed for wall mounted installation
- TouchControl
- Electronic control

Performance/technical information

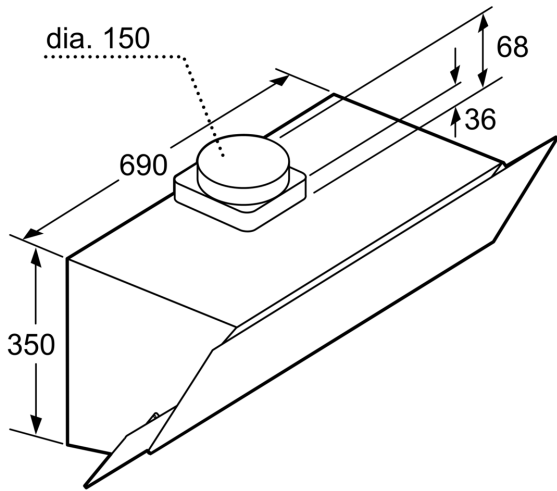
- Suitable for ducted or recirculating operation
- For recirculated extraction recirculating kit (accessory) needed
- Extraction rate according to EN 61591 max. 629 m³/h
- Noise level according to EN 60704-3 and EN 60704-2-13 at max. normal use exhaust air: 67 dB(A) re 1 pW
- Power rating: 216 W
- Light Intensity: 377 lux
- Electrical cable length 1.3 m
- Diameter pipe Ø 150 mm (Ø 120 mm enclosed)
- Dimensions exhaust air (HxWxD): 750-1080 x 896 x 386 mm
- Dimensions recirculating (HxWxD): 862-1080 x 896 x 386 mm
- Blower Efficiency Class: D*
- Lighting Efficiency Class: A*
- Grease Filtering Efficiency Class: D*
- Average Energy Consumption: 94.5 kWh/year*

Optional accessories

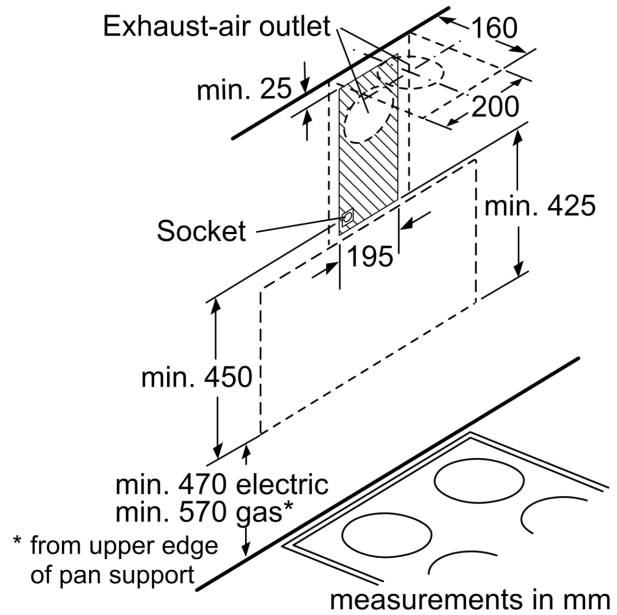
- Recirculating kit DWA0LK6A

* In accordance with the EU-Regulation No 65/2014

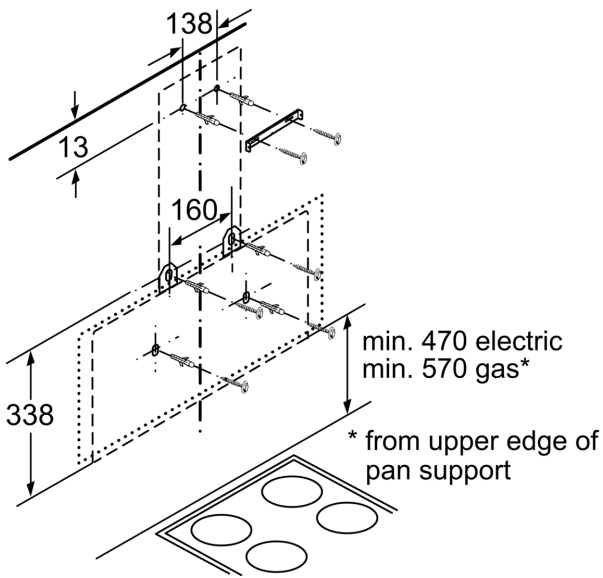
**Series 2, Wall-mounted cooker hood,
90 cm, Clear glass black printed
DWK095G60B**



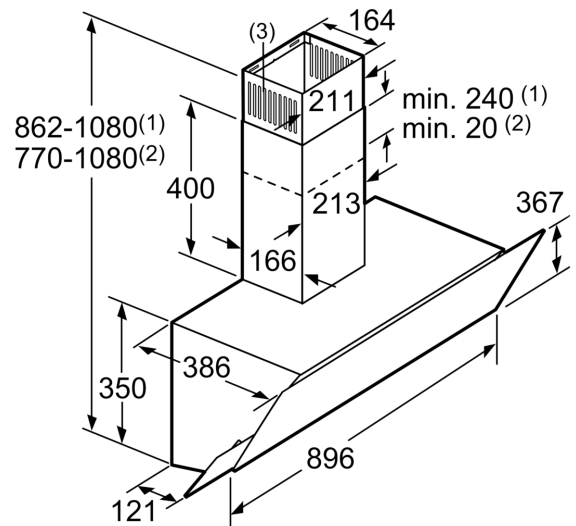
measurements in mm



measurements in mm



measurements in mm



- (1) Exhaust air (2) Circulated air
(3) Air outlet – slots for exhaust air to be mounted facing down

measurements in mm