

**Serie | 4, wall-mounted cooker hood,  
60 cm, clear glass  
DWG66DM50B**



**Hood with glass design: performance  
combined with straight glass design  
matching your kitchen.**

- **Intensive speed setting:** removes strong kitchen odours quickly and effectively.

**Technical Data**

Typology :	Chimney
Approval certificates :	CE, VDE
Length electrical supply cord (cm) :	130
Height of the chimney (mm) :	576-906/576-998
Height of product, without chimney (mm) :	59
Minimum distance above an electric hob :	550
Minimum distance above a gas hob :	650
Net weight (kg) :	13.632
Type of control :	Electronic
Maximum output air extraction (m <sup>3</sup> /h) :	384
Boost position output recirculating (m <sup>3</sup> /h) :	358.0
Maximum output recirculating air (m <sup>3</sup> /h) :	289
Boost position air extraction (m <sup>3</sup> /h) :	626
Number of lights :	2
Noise level (dB(A) re 1 pW) :	62
Diameter of air outlet (mm) :	120 / 150
Grease filter material :	Washable aluminium
EAN code :	4242005051168
Connection Rating (W) :	220
Current (A) :	10
Voltage (V) :	220-240
Frequency (Hz) :	50; 60
Plug type :	GB plug
Installation typology :	Wall-mounted

**Optional accessories**

- DHZ1225 : Chimney extension 1000 mm
- DHZ1235 : Chimney extension 1500 mm
- DHZ6550 : Brushed steel back panel
- DHZ6551 : Brushed steel back panel
- DWZ0DX0A0 : Standard odor filter (replacement)
- DWZ0DX0U0 : Standard recirculation kit
- DWZ0XX0J0 : Long Life recirculation kit
- DWZ1DX1I6 : Clean Air Plus recirculation kit
- DWZ1FX5C6 : Clean Air Plus recirc. kit external
- DZZ0XX0P0 : Long Life odor filter (replacement)
- DZZ1XX1B6 : Clean Air Plus odor filter (replacement)



4 242005 051168

## Serie | 4, wall-mounted cooker hood, 60 cm, clear glass DWG66DM50B

### Hood with glass design: performance combined with straight glass design matching your kitchen.

#### Key performance features:

- Energy Efficiency Class: B (at a range of energy efficiency classes from A+++ to D)
- Maximum extraction rate exhaust air 384 m<sup>3</sup>/h according to EN 61591
- Extraction rate according to EN 61591 ø 15 cm: max. Normal use 384 m<sup>3</sup>/h Intensive 626 m<sup>3</sup>/h
- Noise max. Normal Level: 62 dB\*

#### Features

- TouchControl with Electronic display
- Electronic display
- 3 power levels & intensive setting
- 2 x 1.5W LED light
- Colour Temperature: 3500 K
- Automatic intensive revert (6mins)
- 1 metal grease filter cassette
- Designed for wall mounted installation

#### Design

- Chimney extractor hood
- TouchControl
- Electronic control

#### Performance/technical information

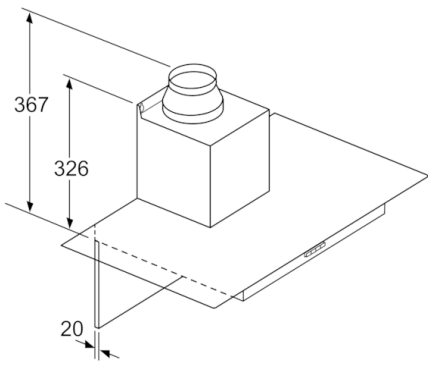
- Suitable for ducted or recirculating operation
- For recirculated extraction recirculating kit or CleanAir recirculating kit (accessory) needed
- Max. extraction rate: 626 m<sup>3</sup>/h
- Extraction rate in recirculation mode: Max. normal use: 289 m<sup>3</sup>/h Intensive: 358 m<sup>3</sup>/h
- Noise level according to EN 60704-3 and EN 60704-2-13 exhaust air: Max. normal use: 62 dB(A) re 1 pW Intensive: 70 dB(A) re 1 pW
- Noise levels in recirculation mode: Max. normal use: 71 dB(A) re 1 pW Intensive: 75 dB(A) re 1 pW
- Power rating: 220 W
- Light Intensity: 281 lux
- Electrical cable length 1.3 m
- Diameter pipe Ø 150 mm (Ø 120 mm enclosed)
- Dimensions exhaust air (HxWxD): 635-965 x 600 x 525 mm
- Dimensions recirculating (HxWxD): 635-1075 x 600 x 525 mm
- Dimensions recirculating with CleanAir module (HxWxD): 703 x 600 x 525 mm - mounting with outer chimney 833-1163 x 600 x 525 mm - mounting with telescopic chimney
- Blower Efficiency Class: A\*
- Lighting Efficiency Class: A\*
- Grease Filtering Efficiency Class: B\*
- Average Energy Consumption: 47.4 kWh/year\*

#### Optional accessories

- Recirculating kit DHZ1225

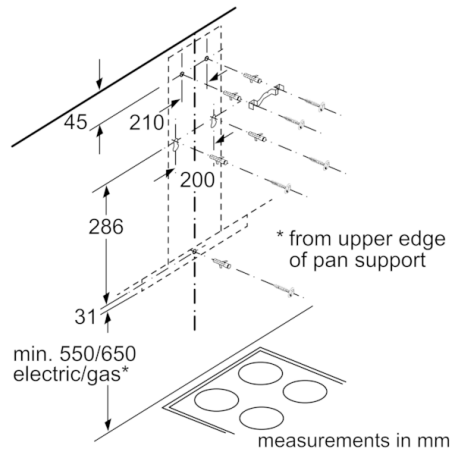
\* In accordance with the EU-Regulation No 65/2014

**Serie | 4, wall-mounted cooker hood, 60 cm,  
clear glass  
DWG66DM50B**

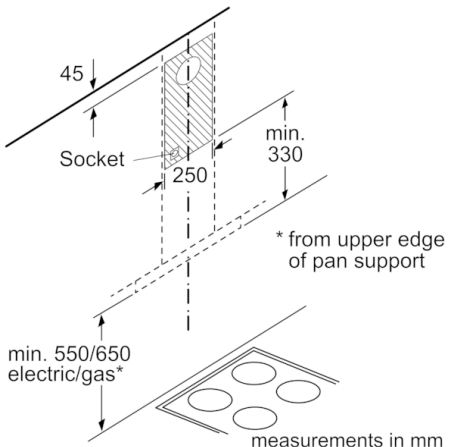


If a back panel is used,  
the design of the appliance  
must be considered.

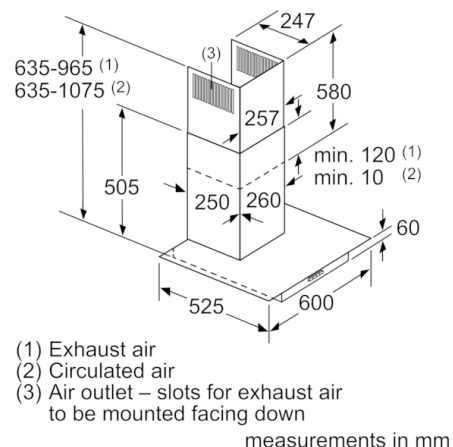
measurements in mm



measurements in mm



measurements in mm



measurements in mm

- (1) Exhaust air
- (2) Circulated air
- (3) Air outlet – slots for exhaust air  
to be mounted facing down