

Series 8, Wall-mounted cooker hood, 90 cm, Clear glass black printed DWF97RV60B



Flat design hood: always keep an eye on your pots and pans with this design highlight.

- **PerfectAir sensor:** automatic extractor control for high performance with low noise.
- **Especially silent:** maximum hood performance, minimum noise.
- **Easy-to-clean interior:** hidden screws and cables along with rounded edges make cleaning easy.
- **Manage your appliances with your voice, thanks to the Amazon Alexa voice control.***
- **Cooktop-based hood control: use the hob to control your hood.**

Technical Data

Typology:	Wall-mounted
Length electrical supply cord:	130.0 cm
Height of the appliance:	430 mm
Minimum distance above an electric hob:	450 mm
Net weight:	25.4 kg
Type of control:	Electronic
Number of speed settings:	3-stage + 2 intensive
Max. air extraction:	394 m ³ /h
Boost position output recirculating:	404 m ³ /h
Max. air recirculation:	249 m ³ /h
Boost position air extraction:	717 m ³ /h
Maximum Air flow:	394 m ³ /h
Number of lights:	2
Noise level:	57 dB(A) re 1 pW
Diameter of air outlet:	120 / 150 mm
Grease filter material:	Washable aluminium
EAN code:	4242002946597
Connection rating:	146 W
Fuse protection:	10 A
Voltage:	220-240 V
Frequency:	50; 60 Hz
Plug type:	GB plug
Installation typology:	Wall-mounted
Delay Shut off modes:	1-99 min

Optional accessories

DWZ1AX5C6	Clean Air Plus recirc. kit external
DWZ1AX6E1	Chimney standard black
DZZ0XX0P0	Long Life odor filter (replacement)
DZZ1XX1B6	Clean Air Plus odor filter (replacement)
DWZ0AX5K0	Chimney extension 1000 mm
DWZ0AX5L0	Chimney extension 1500 mm
DWZ1AF1B6	Clean Air Plus odor filter (replacement)
DWZ1AF1I6	Clean Air Plus recirculation kit
DWZ1AF1V6	Clean Air Plus recirc. kit (chimless)
DWZ0AF0R0	Long Life recirculation kit (chimless)
DWZ0AF0S0	Long Life recirculation kit



Series 8, Wall-mounted cooker hood, 90 cm, Clear glass black printed DWF97RV60B

**Flat design hood: always keep an eye on
your pots and pans with this design
highlight.**

Key performance features:

- Energy Efficiency Class: B (at a range of energy efficiency classes from A+++ to D)
- Extraction rate according to EN 61591 \varnothing 15 cm:
 - max. Normal use 394 m³/h
 - Intensive 717 m³/h
- Noise max. Normal Level: 57 dB*

Features

Home Connect: Remote Monitoring and Control

- PerfectAir sensor
- Hob based hood control
- TouchControl with Electronic display
- Electronic display
- 3 power levels and 2 intensive settings
- 2 x 3W LED light
- Colour Temperature: 3500 K
- Dimmer function
- Efficient BLDC technology
- Automatic run on duration 1-9 min
- Automatic intensive revert (6mins)
- 2 metal grease filter cassettes
- Saturation indicator for metal and charcoal filter
- easy to clean Inner frame
- Designed for wall mounted installation
- Rim ventilation

Design

- Chimney extractor hood
- TouchControl, Control wheel

Performance/technical information

- Installation with gas hob not recommended
- Suitable for ducted or recirculating operation
- For recirculated extraction recirculating kit or CleanAir recirculating kit (accessory) needed
- Installation system: Wall fixing inclined/flat/cube
- Extraction rate according to EN 61591 max. 394 m³/h
- Noise level according to EN 60704-3 and EN 60704-2-13 at max. normal use exhaust air: 57 dB(A) re 1 pW
- Noise level according to EN 60704-3 and EN 60704-2-13 exhaust air:
 - Max. normal use: 57 dB(A) re 1 pW
 - Intensive: 70 dB(A) re 1 pW
- Noise level according to EN 60704-3 and EN 60704-2-13 at maximum normal setting: extraction rate: 57 dB (A) re 1 pW
- Light Intensity: 589 lux
- Electrical cable length 1.3 m
- Diameter pipe \varnothing 150 mm (\varnothing 120 mm enclosed)

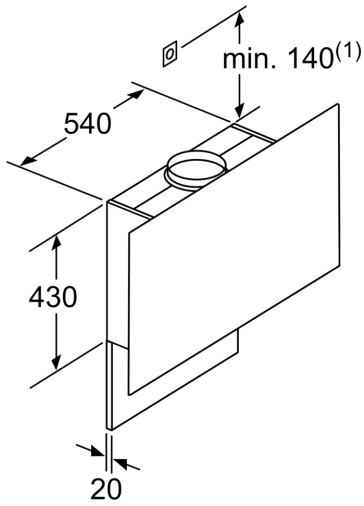
- Dimensions exhaust air (HxWxD): 1019-1289 x 890 x 263 mm
- Dimensions recirculating (HxWxD): 1079-1349 x 890 x 263 mm
- Dimensions recirculating with CleanAir module (HxWxD):
 - 1209 x 890 x 263mm - mounting with outer chimney
 - 1279-1549 x 890 x 263 mm - mounting with telescopic chimney
- Blower Efficiency Class: B*
- Lighting Efficiency Class: A*
- Grease Filtering Efficiency Class: B*
- Average Energy Consumption: 40 kWh/year*

Optional accessories

- Recirculating kit DWZ1AX5C6

* In accordance with the EU-Regulation No 65/2014

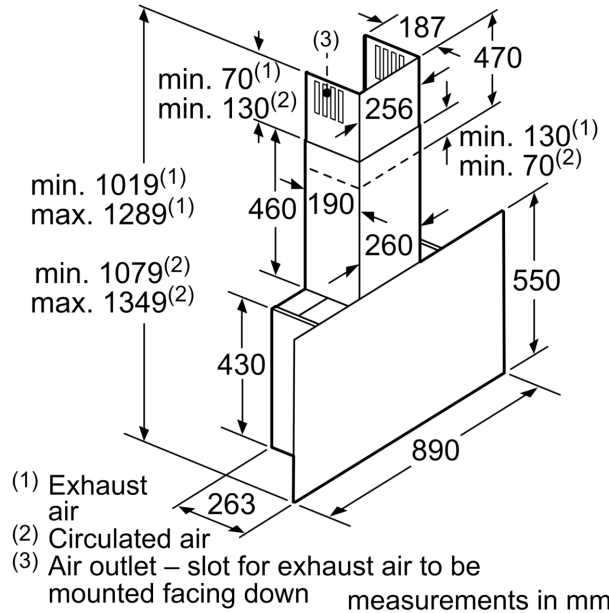
**Series 8, Wall-mounted cooker hood,
90 cm, Clear glass black printed
DWF97RV60B**



(1) Position of socket

Note the maximum thickness of the back panel.

measurements in mm

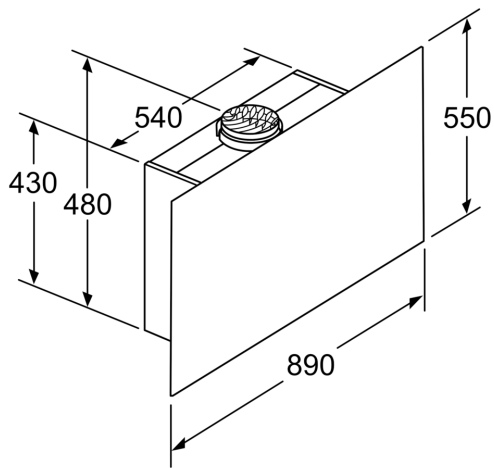


(1) Exhaust air

(2) Circulated air

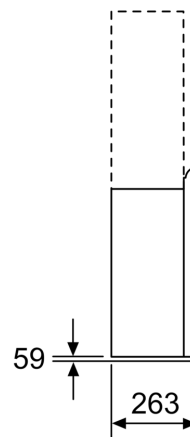
(3) Air outlet – slot for exhaust air to be mounted facing down

measurements in mm



Appliance in circulated air mode
without duct
Circulated air set required

measurements in mm



measurements in mm

