

**wall-mounted cooker hood, 90 cm,
clear glass
DWA09E750B**



Optional accessories

DHZ1225 : Chimney extension 1000 mm
 DHZ1235 : Chimney extension 1500 mm
 DHZ5326 : Standard odor filter (replacement)
 DSZ5201 : CleanAir active carbon filter spare part
 DSZ6200 : CleanAir Recirculation Kit

Wall mounted chimney hoods add style and sophistication to the kitchen and give you complete freedom in your kitchen planning.

- An impressive extraction rate of 690 m³/h ensures this hood will have your kitchen odour free in no time.
- Halogen lighting provides energy efficient and bright lighting of the hob area.
- Intensive speed setting with revert gives a quick intensive 10 min burst to clear strong odours and then reverts back to the normal setting.

Technical Data

| | |
|---|--------------------|
| Color chimney : | Stainless steel |
| Typology : | Chimney |
| Approval certificates : | CE, VDE |
| Length electrical supply cord (cm) : | 130 |
| Height of the chimney (mm) : | 581-897/581-1007 |
| Height of product, without chimney (mm) : | 57 |
| Minimum distance above an electric hob : | 550 |
| Minimum distance above a gas hob : | 650 |
| Net weight (kg) : | 19.974 |
| Type of control : | Electronic |
| Maximum output air extraction (m ³ /h) : | 400 |
| Boost position output recirculating (m ³ /h) : | 360 |
| Maximum output recirculating air (m ³ /h) : | 280 |
| Boost position air extraction (m ³ /h) : | 690 |
| Number of lights : | 2 |
| Noise level (dB(A) re 1 pW) : | 57 |
| Diameter of air outlet (mm) : | 120 / 150 |
| Grease filter material : | Washable aluminium |
| EAN code : | 4242002627021 |
| Connection Rating (W) : | 260 |
| Voltage (V) : | 220-240 |
| Frequency (Hz) : | 50 |
| Plug type : | GB plug |
| Installation typology : | Wall-mounted |



**wall-mounted cooker hood, 90 cm, clear
glass
DWA09E750B**

**Wall mounted chimney hoods add style and
sophistication to the kitchen and give you
complete freedom in your kitchen planning.**

Key Information

- Electronic control
- Electronic power level display

Design

- 90 cm wide
- Designed for wall mounted installation
- Height adjustable chimney sections

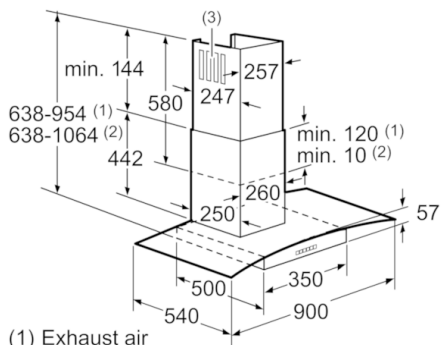
Features

- Soft touch button control for extractor speeds and light
- 3 power levels & intensive setting
- Automatic intensive revert
- 2 x 20W low energy halogen lights
- 1 metal grease filter cassette

Performance/technical information

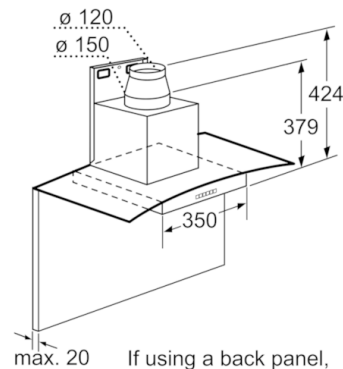
- Suitable for ducted or recirculating operation
- Extraction rate according to EN 61591 \varnothing 15 cm:
 - max. Normal use 420 m³/h
 - Intensive 690 m³/h
- Noise level according to EN 60704-3 and EN 60704-2-13 exhaust air:
 - Max. normal use: 56 dB(A) re 1 pW (42 dB(A) re 20 μ Pa sound pressure)
 - Intensive: 69 dB(A) re 1 pW (55 dB(A) re 20 μ Pa sound pressure)
- Extractor hose 120mm
- Recirculating kit DHZ5325

wall-mounted cooker hood, 90 cm, clear glass
DWA09E750B



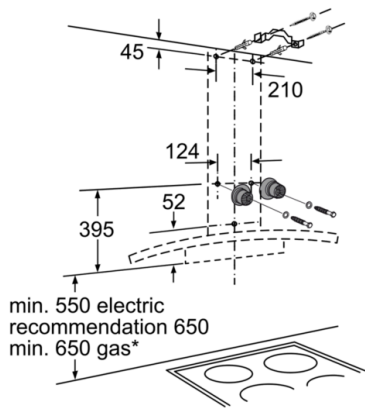
- (1) Exhaust air
- (2) Circulated air
- (3) Air outlet - Fit the exhaust air slot facing downwards

Measurements in mm



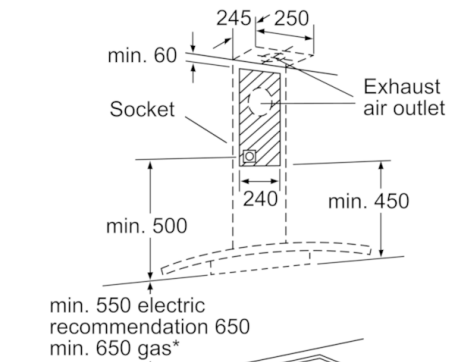
If using a back panel, the design of the appliance must be taken into account.

Measurements in mm



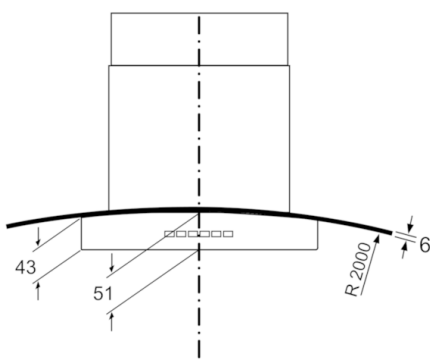
* from upper edge of pan support

Measurements in mm



* from upper edge of pan support

Measurements in mm



Measurements in mm