

**wall-mounted cooker hood, 90 cm,  
clear glass  
DWA09E650B**

**C**



**Optional accessories**

- DHZ1225 : Chimney extension 1000 mm
- DHZ1235 : Chimney extension 1500 mm
- DHZ5326 : Active carbon filter
- DSZ5201 : CleanAir active carbon filter spare part
- DSZ6200 : CleanAir Recirculation Kit

**Wall mounted chimney hoods add style and sophistication to the kitchen and give you complete freedom in your kitchen planning.**

- An impressive extraction rate of 650 m<sup>3</sup>/h ensures this hood will have your kitchen odour free in no time.
- Halogen lighting provides energy efficient and bright lighting of the hob area.
- Intensive speed setting with revert gives a quick intensive 10 min burst to clear strong odours and then reverts back to the normal setting.

**Technical Data**

Color chimney :	Stainless steel
Typology :	Chimney
Approval certificates :	CE, VDE
Length electrical supply cord (cm) :	130
Height of the chimney (mm) :	582-902/582-1012
Height of product, without chimney (mm) :	52
Minimum distance above an electric hob :	550
Minimum distance above a gas hob :	650
Net weight (kg) :	19.620
Type of control :	Electronic
Maximum output air extraction (m <sup>3</sup> /h) :	420
Boost position output recirculating (m <sup>3</sup> /h) :	380
Maximum output recirculating air (m <sup>3</sup> /h) :	280
Boost position air extraction (m <sup>3</sup> /h) :	650
Number of lights :	2
Noise level (dB(A) re 1 pW) :	59
Diameter of air outlet (mm) :	150 / 120
Grease filter material :	Washable aluminium
EAN code :	4242002660134
Connection Rating (W) :	250
Voltage (V) :	220-240
Frequency (Hz) :	50
Plug type :	GB plug
Installation typology :	Wall-mounted



4 242002 660134

**wall-mounted cooker hood, 90 cm, clear  
glass  
DWA09E650B**

**Wall mounted chimney hoods add style and  
sophistication to the kitchen and give you  
complete freedom in your kitchen planning.**

---

**Key Information**

- Electronic control
- Electronic power level display

**Design**

- 90 cm wide
- Designed for wall mounted installation
- Height adjustable chimney sections
- Brushed steel

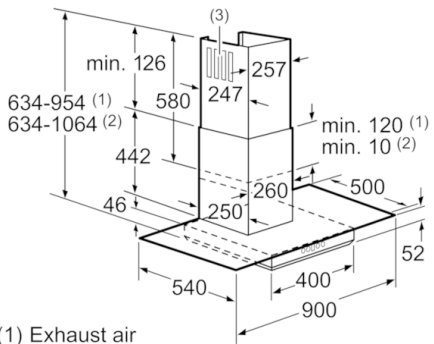
**Features**

- Soft touch button control for extractor speeds and light
- 3 power levels & intensive setting
- Automatic intensive revert
- 2 x 20W low energy halogen lights
- 1 metal grease filter cassette

**Performance/technical information**

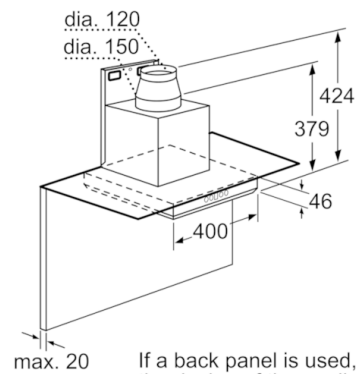
- Easy installation system
- Suitable for ducted or recirculating operation
- Extraction rate according to EN 61591  $\varnothing$  15 cm:  
max. Normal use 430 m<sup>3</sup>/h  
Intensive 650 m<sup>3</sup>/h
- Noise level according to EN 60704-3 and EN 60704-2-13  
exhaust air:  
Max. normal use: 57 dB(A) re 1 pW (43 dB(A) re 20  $\mu$ Pa sound  
pressure)  
Intensive: 67 dB(A) re 1 pW (53 dB(A) re 20  $\mu$ Pa sound  
pressure)
- Intensive: 67 dB (A) re 1 pW (53 dB (A) re 20  $\mu$ Pa sound  
pressure)
- Extractor hose 120mm
- Dimensions recirculating with CleanAir module (HxWxD):  
654 x 900 x 540 mm - mounting with outer chimney  
774-1104 x 900 x 540 mm - mounting with telescopic chimney

**wall-mounted cooker hood, 90 cm, clear glass**  
**DWA09E650B**



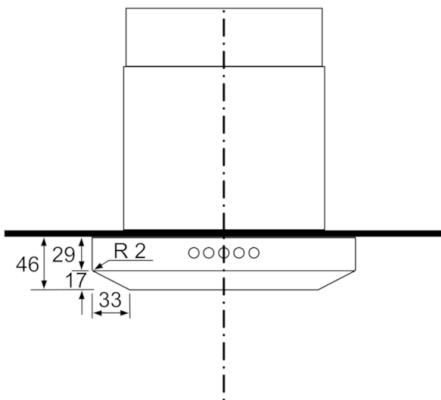
- (1) Exhaust air
- (2) Circulated air
- (3) Air outlet - Fit the exhaust air slot facing downwards

Measurements in mm



If a back panel is used, the design of the appliance must be considered.

Measurements in mm



Measurements in mm