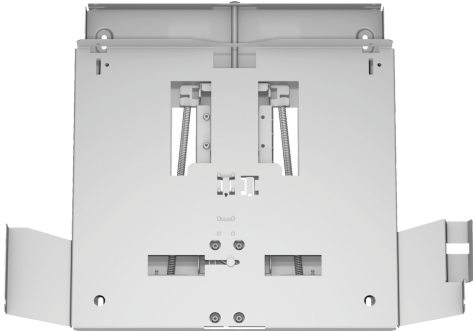


Lowering frame DSZ4660



- Can be combined with slimline hood
- The lowering frame allows the slimline hood to disappear completely into the upper cabinet
- For assembly directly on the kitchen wall
- Suitable for 60 cm wide slimline cooker hood

Technical Data

Dimensions of the packed product (HxWxD): 90 x 530 x 640 mm
Pallet dimensions: 150.0 x 80.0 x 120.0
Standard number of units per pallet: 30
Net weight: 2.8 kg
Gross weight: 5.0 kg
EAN code: 4242002882390



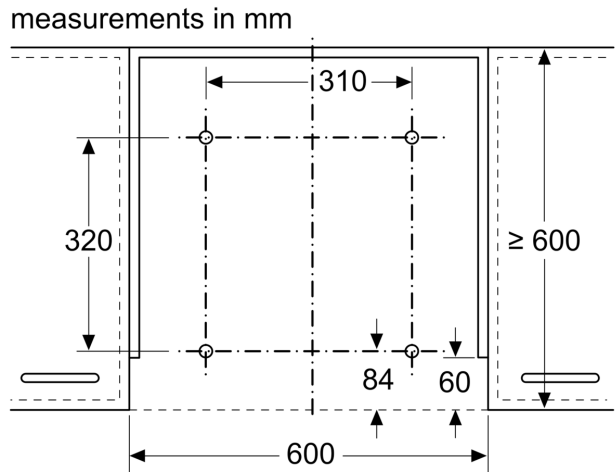
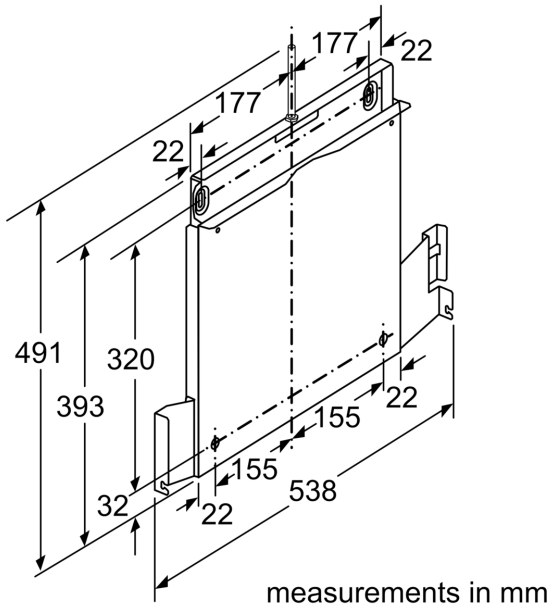
4 242002 882390

Lowering frame DSZ4660

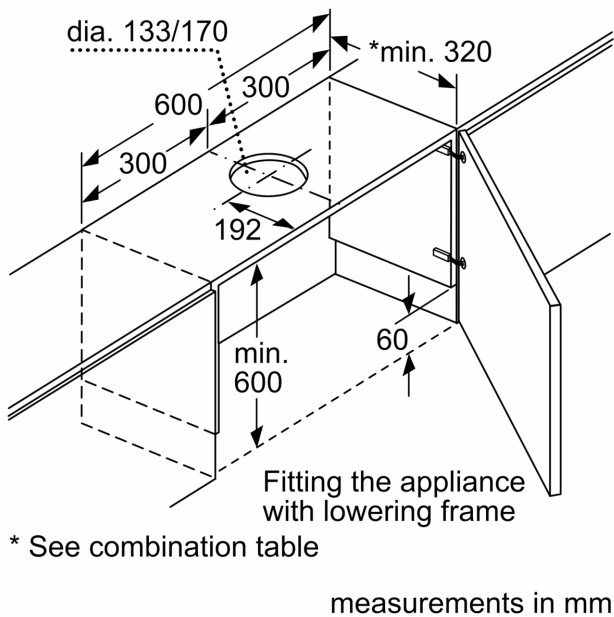
Optional accessories

- Can be combined with slimline hood
- The lowering frame allows the slimline hood to disappear completely into the upper cabinet
- For assembly directly on the kitchen wall
- Suitable for 60 cm wide slimline cooker hood

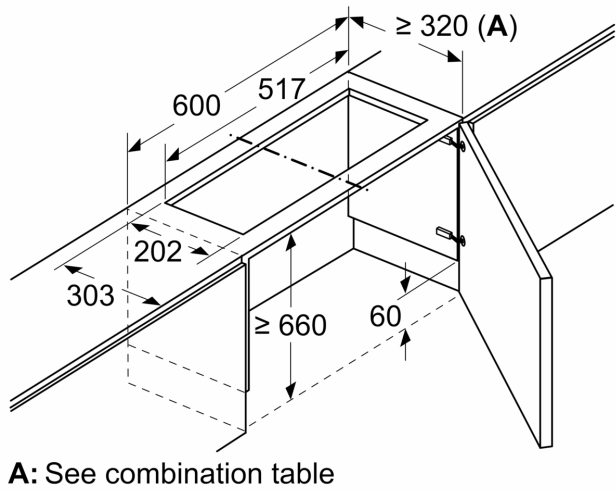
Lowering frame DSZ4660



Fitting the telescopic hood with lowering frame
Fitting directly to the kitchen wall



Measurements in mm
Installation of telescopic hood with circulated air kit and lowering frame

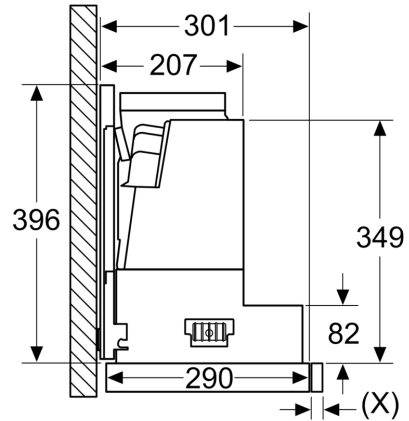


measurements in mm
Combination table for 60 cm telescopic hood with lowering frame

Design of the appliance in the cupboard	Appliance installation depth with lowering frame	Depth of the handle strip (X)	Overall installation depth	Kitchen unit carcass depth
Design A	301	17	318	≥ 320
	301	20	321	≥ 323
	301	32	333	≥ 335
Design B	301	32	333	≥ 335

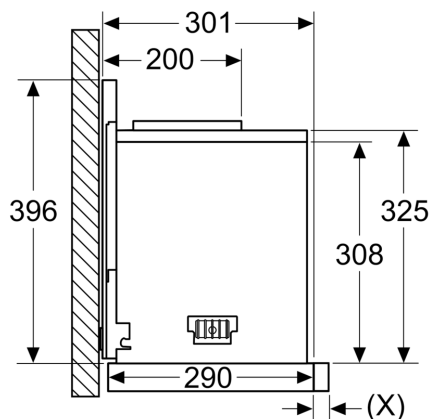
When using recess panelling of >5 mm, the lowering frame must be supported from below. The kitchen unit carcass depth must be adjusted accordingly.

measurements in mm
Design A



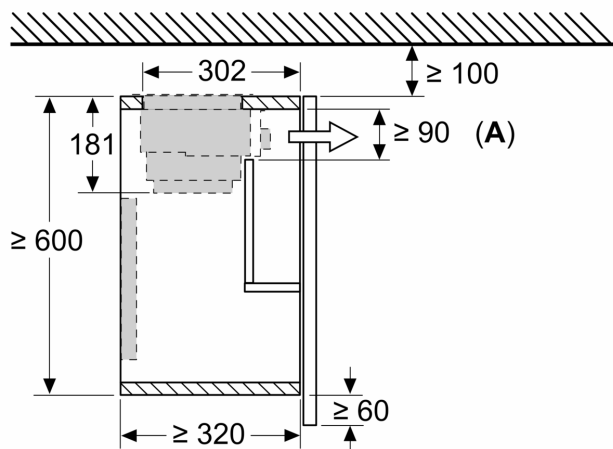
Fitting the telescopic hood with lowering frame – kitchen unit carcass depth as per combination table

measurements in mm
Design B



Fitting the telescopic hood with lowering frame – kitchen unit carcass depth as per combination table

Measurements in mm
Installation of telescopic hood with circulated air kit and lowering frame



A: Filter change