

**Clean Air Plus recirculation kit,
initial equipment
DIZ1CX5C6**



**External recirculation kit with Clean Air
Plus high performance filter: Cleans the
air highly effective from odors and pollen.**

Technical Data

Dimensions of the packed product (HxWxD):280x520x620 mm

Pallet dimensions: 180.0 x 80.0 x 120.0

Standard number of units per pallet: 12

Net weight:5.7 kg

Gross weight: 8.0 kg

EAN code:4242005179886



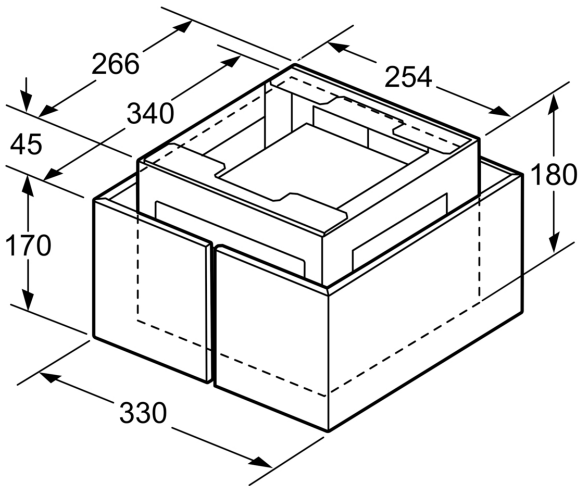
**Clean Air Plus recirculation kit,
initial equipment
DIZ1CX5C6**

**External recirculation kit with Clean Air
Plus high performance filter: Cleans the
air highly effective from odors and pollen.**

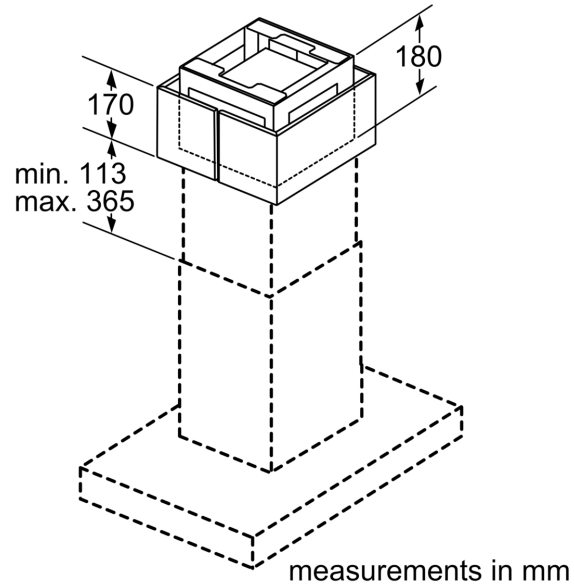
Optional accessories

- For recirculation operation
- Combined with island chimney hoods
- Odour reduction > 90%
- Lifetime of CleanAir Plus odour filter 12-18 months
- Anti-fish functionality: Especially treated against fish smell
- Anti-pollen functionality: The filter retains 99% of airborne pollen and deactivates allergens which are retained by the filter.

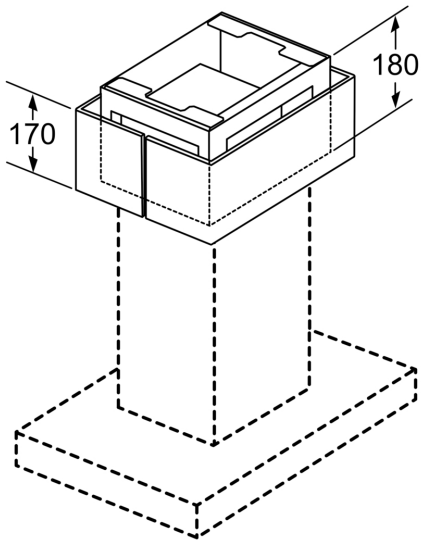
**Clean Air Plus recirculation kit,
initial equipment
DIZ1CX5C6**



measurements in mm



measurements in mm



measurements in mm