

**Back panel
DHZ9551**

- DHZ9551
- Brushed steel back panel
- Stainless steel
- 90cm wide

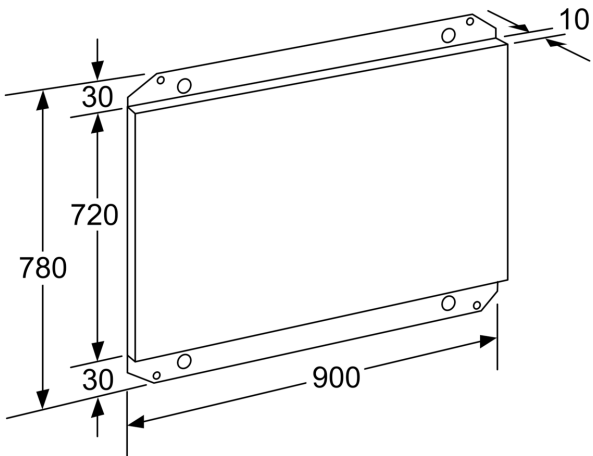
Technical Data

Dimensions of the packed product (HxWxD): 35 x 845 x 920 mm
Pallet dimensions: 115.0 x 80.0 x 120.0
Standard number of units per pallet: 30
Net weight: 3.1 kg
Gross weight: 9.1 kg
EAN code: 4242002595399



4 242002 595399

Back panel
DHZ9551



Measurements in mm