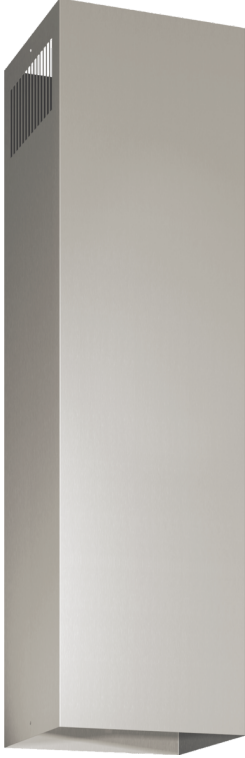


## Chimney extension, 1100 mm DHZ1245



- Extension (telescopic part) for island chimney hood
- Max. 520 mm extension of the appliance possible
- Suitable for ducted and re-circulated extraction
- Extension with recirculation slots
- Extension for mounting kit 500 mm required

---

### Technical Data

Dimensions of the packed product (HxWxD): ... 1220 x 310 x 320 mm  
Pallet dimensions: ..... 138.0 x 80.0 x 120.0  
Standard number of units per pallet: ..... 6  
Net weight: ..... 3.5 kg  
Gross weight: ..... 8.8 kg  
EAN code: ..... 4242002633992

---



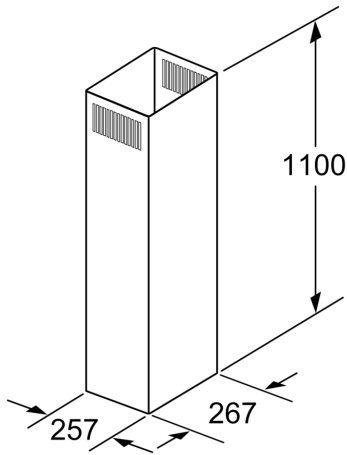
## **Chimney extension, 1100 mm DHZ1245**

---

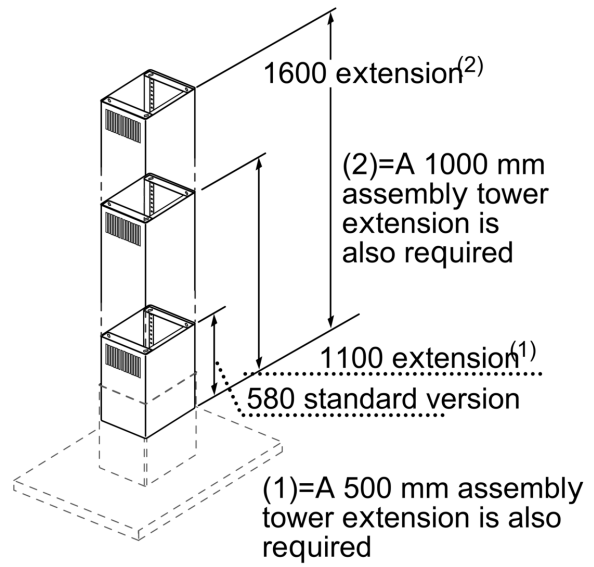
### **Optional accessories**

- Extension (telescopic part) for island chimney hood
- Max. 520 mm extension of the appliance possible
- Suitable for ducted and re-circulated extraction
- Extension with recirculation slots
- Extension for mounting kit 500 mm required

**Chimney extension, 1100 mm**  
**DHZ1245**



measurements in mm



Measurements in mm