

**Series 6, Canopy cooker hood, 52 cm, Stainless steel
DHL575CGB**



DHZ5316	Standard odor filter (replacement)
DHZ5605	Standard recirculation kit
DWZ0IT0P0	Long Life odor filter (replacement)
DWZ1IT1D1	Long Life recirculation kit external
DWZ1IX1B6	Clean Air Plus odor filter (replacement)
DWZ1IX1C6	Clean Air Plus recirc. kit external

Canopy cooker hoods are designed to be fully integrated for more flexibility when planning your kitchen.

- **LED Illumination:** The energy-saving lighting provides bright and clear lighting for the hob area.
- **Intensive speed setting:** removes strong kitchen odours quickly and effectively.
- **High extraction rate - for continuously clean air in the kitchen.**
- **Intensive Setting:** the powerful way to beat intense steam during cooking, with automatic revert.
- **Dishwasher safe aluminum mesh filters**

Typology:	Built-in/Built-under
Length electrical supply cord:	150.0 cm
Min. required niche size for installation (HxWxD):	418mm x 496.0mm x 264mm mm
Height of the appliance:	418 mm
Minimum distance above an electric hob:	500 mm
Minimum distance above a gas hob:	650 mm
Net weight:	7.7 kg
Type of control:	Electronic
Number of speed settings:	3-stages + intensive setting
Max. air extraction:	560 m ³ /h
Boost position output recirculating:	581 m ³ /h
Max. air recirculation:	533 m ³ /h
Boost position air extraction:	615 m ³ /h
Maximum Air flow:	560 m ³ /h
Number of lights:	2
Noise level:	67 dB(A) re 1pW
Diameter of air outlet:	120 / 150 mm
Grease filter material:	Washable aluminium
EAN code:	4242002831169
Connection rating:	252 W
Fuse protection:	3 A
Voltage:	220-240 V
Frequency:	50 Hz
Plug type:	GB plug
Installation typology:	Built-in



Series 6, Canopy cooker hood, 52 cm, Stainless steel DHL575CGB

Canopy cooker hoods are designed to be fully integrated for more flexibility when planning your kitchen.

Key Information

- Electronic control via Soft touch button control

Design

- For installation in a kitchen cabinet
- 52 cm wide
- Brushed steel

Features

- Soft touch button control with Electronic display
- 3 power levels & intensive setting
- Automatic intensive revert (6mins)
- Rim ventilation
- 2 x 1W LED
- 1 metal grease filter cassette
- Filter cover stainless steel, Removable metal grease filters

Performance/technical information

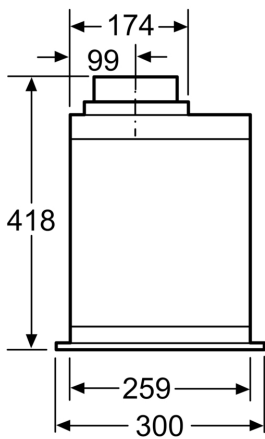
- Suitable for ducted or recirculating operation
- Extraction rate exhaust air according to EN 61591:
 - max. normal use: 560 m³/h, intensive 615 m³/h
- Noise level according to EN 60704-3 and EN 60704-2-13 exhaust air:
 - Max. normal use: 67dB(A) re 1 pW
 - Intensive: 70 dB(A) re 1 pW
 - Noise max. Normal Level: 67 dB*
- With the Clean Air Plus recirculation kit (available as optional accessory) your appliances reaches:
 - Extraction rate in recirculation mode: Max. normal use: 533m³/h
 - Intensive: 581m³/h
 - Noise level in recirculation mode: Max. normal use: 72dB(A) re 1 pW
 - Intensive: 74 dB(A) re 1 pW
- Power rating: 252 W
- Light Intensity: 244 lux
- Colour Temperature: 4000 K
- Average Energy Consumption: 90.2 kWh/year*
- Energy Efficiency Class: C (at a range of energy efficiency classes from A+++ to D)
- Blower Efficiency Class: C*
- Lighting Efficiency Class: A*
- Grease Filtering Efficiency Class: D*
- Dimensions exhaust air (HxWxD): 418-418 x 520 x 300 mm
- Dimensions recirculating (HxWxD): 418-418 x 520 x 300 mm
- Diameter pipe Ø 150 mm (Ø 120 mm enclosed)

Accessories

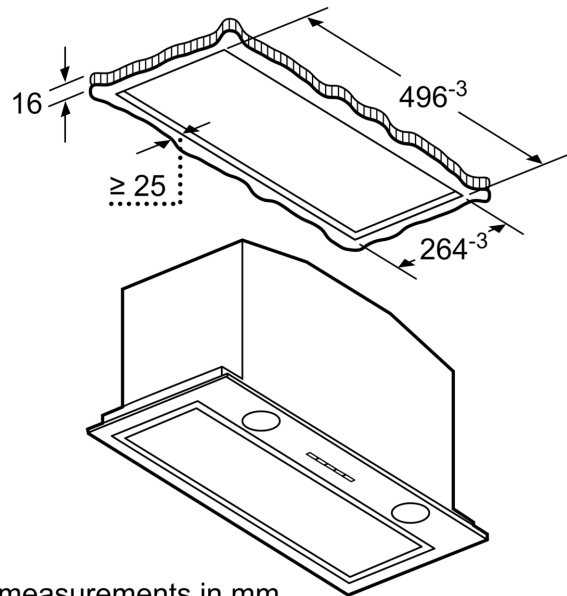
- For recirculated extraction recirculating kit or CleanAir recirculating kit (accessory) needed

* In accordance with the EU-Regulation No 65/2014

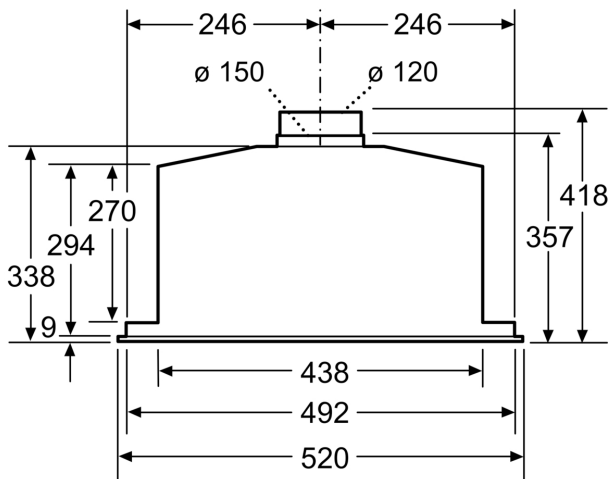
**Series 6, Canopy cooker hood, 52 cm, Stainless steel
DHL575CGB**



measurements in mm

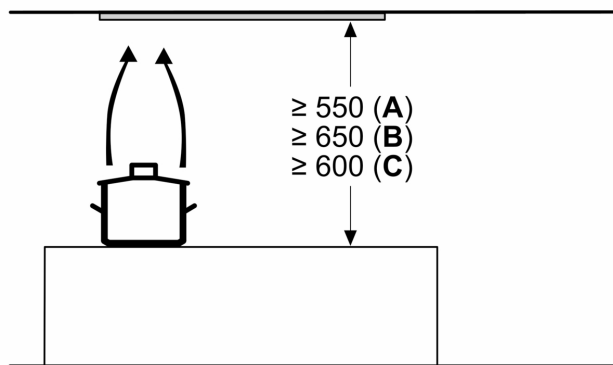


measurements in mm



measurements in mm

Measurements in mm



A: Electric

B: Gas - from upper edge of pan support

C: Electric - for Australia and New Zealand