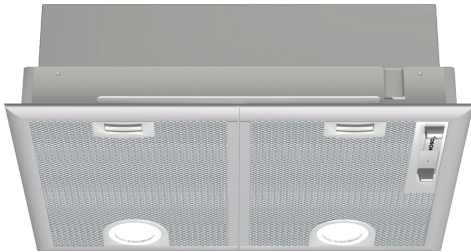


**Series 4, Canopy cooker hood, 53 cm, Silver metallic
DHL555BLGB**



Optional accessories

DHZ7305	Standard odor filter
DHZ7402	Installation kit for canopy

Canopy cooker hoods are designed to be fully integrated for more flexibility when planning your kitchen.

- **Especially silent:** maximum hood performance, minimum noise.
- **Intensive speed setting:** removes strong kitchen odours quickly and effectively.

Technical Data

Typology:	Built-in/Built-under
Length electrical supply cord:	130.0 cm
Min. required niche size for installation (HxWxD):	255mm x 500.0mm x 350mm mm
Minimum distance above an electric hob:	650 mm
Minimum distance above a gas hob:	650 mm
Net weight:	7.5 kg
Type of control:	mechanical
Number of speed settings:	3-stages + intensive setting
Max. air extraction:	363 m ³ /h
Boost position output recirculating:	395.0 m ³ /h
Max. air recirculation:	268 m ³ /h
Boost position air extraction:	618 m ³ /h
Maximum Air flow:	363 m ³ /h
Number of lights:	2
Noise level:	56 dB(A) re 1 pW
Diameter of air outlet:	120 / 150 mm
Grease filter material:	Washable aluminium
EAN code:	4242005122462
Connection rating:	206 W
Fuse protection:	10 A
Voltage:	220-240 V
Frequency:	50 Hz
Plug type:	GB plug
Installation typology:	Built-in



Series 4, Canopy cooker hood, 53 cm, Silver metallic DHL555BLGB

Canopy cooker hoods are designed to be fully integrated for more flexibility when planning your kitchen.

Key performance features:

- Energy Efficiency Class: C (at a range of energy efficiency classes from A+++ to D)
- Extraction rate exhaust air according to EN 61591:
 - max. normal use 362 m³/h, intensive 618 m³/h
- Noise max. Normal Level: 56 dB*

Features

- Slider switch control for extractor speeds and light
- 3 power levels & intensive setting
- Twin motor
- 2 x LED spot 2.15W (low volt)
- Colour Temperature: 3500 K
- 2 metal grease filter cassettes

Design

- For installation into the base of a wall cupboard
- Canopy hood
- Slider switch control
- Mechanical

Performance/technical information

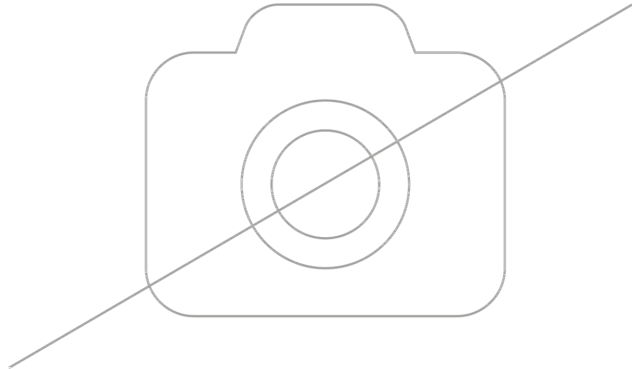
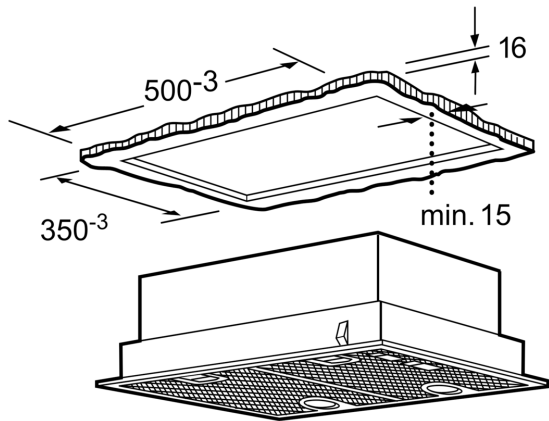
- Suitable for ducted or recirculating operation
- For recirculated extraction charcoal filter (accessory) needed
- Max. extraction rate: 618 m³/h
- Noise level according to EN 60704-3 and EN 60704-2-13 exhaust air:
 - Max. normal use: 56 dB(A) re 1 pW
 - Intensive: 68 dB(A) re 1 pW
- Power rating: 206 W
- Light Intensity: 438 lux
- Electrical cable length 1.3 m
- Diameter pipe Ø 150 mm (Ø 120 mm enclosed)
- Dimensions exhaust air (HxWxD): 255-255 x 530 x 380 mm
- Dimensions recirculating (HxWxD): 255-255 x 530 x 380 mm
- Built-in dimensions (HxWxD): 255 x 500 x 350 mm
- Blower Efficiency Class: D*
- Lighting Efficiency Class: A*
- Grease Filtering Efficiency Class: B*
- Average Energy Consumption: 79.8 kWh/year*

Optional accessories

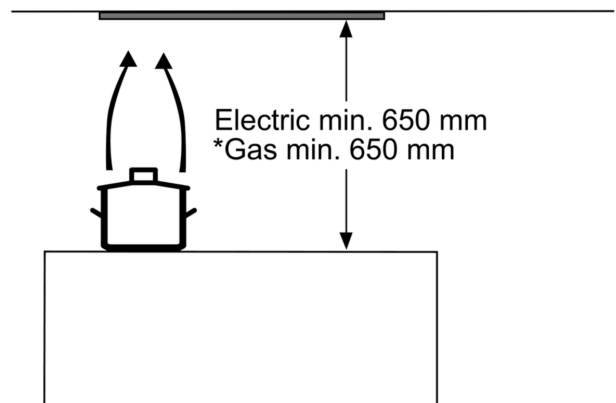
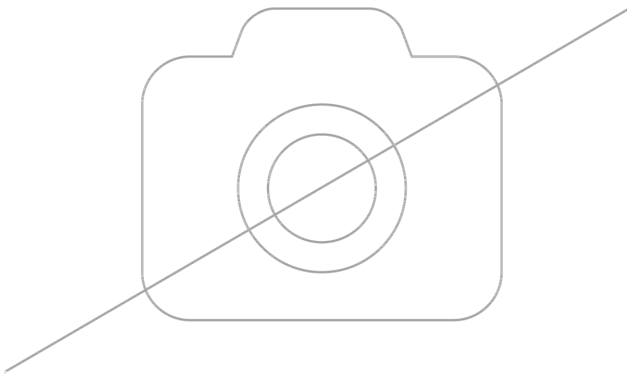
- Recirculating kit DHZ7305

* In accordance with the EU-Regulation No 65/2014

**Series 4, Canopy cooker hood, 53 cm, Silver metallic
DHL555BLGB**



measurements in mm



* from upper edge of pan support

measurements in mm