

**Serie | 8, telescopic cooker hood, 90 cm, Stainless steel
DFS097J50B**

B



Telescopic cooker hoods extend when in use and slide neatly away when not in operation.

- **Especially silent:** maximum hood performance, minimum noise.
- **Grease filtration level:** filters out over 85% of the grease from kitchen air.
- **EcoSilence Drive™:** the powerful, energy-saving drive for hoods.
- **LED Illumination:** The energy-saving lighting provides bright and clear lighting for the hob area.
- **Intensive speed setting:** removes strong kitchen odours quickly and effectively.

Technical Data

Typology : Pull-out
 Approval certificates : CE, VDE
 Length electrical supply cord : 175 cm
 Required niche size for installation (HxWxD) : 385mm x 524.0mm x 290mm mm
 Minimum distance above an electric hob : 430 mm
 Minimum distance above a gas hob : 650 mm
 Net weight : 14.6 kg
 Type of control : Electronic
 Number of speed settings : 3-stage + 2 intensive
 Maximum output air extraction : 395 m³/h
 Boost position output recirculating : 628 m³/h
 Maximum output recirculating air : 358 m³/h
 Boost position air extraction : 708 m³/h
 Number of lights : 2
 Noise level : 56 dB(A) re 1 pW
 Diameter of air outlet : 150 / 120 mm
 Grease filter material : Washable stainless steel
 EAN code : 4242002937922
 Connection Rating : 146 W
 Fuse protection : 10 A
 Voltage : 220-240 V
 Frequency : 60; 50 Hz
 Plug type : GB plug
 Installation typology : Built-in

Optional accessories

DSZ4561 : Standard odor filter (replacement)
 DSZ4565 : Standard recirculation kit
 DSZ4920 : Installation kit for 90cm wide wall unit
 DSZ4960 : Lowering frame
 DWZ0IT0P0 : Long Life odor filter (replacement)
 DWZ1IT1D1 : Long Life recirculation kit external
 DWZ1IX1C6 : Clean Air Plus recirc. kit external



Serie | 8, telescopic cooker hood, 90 cm, Stainless steel DFS097J50B

**Telescopic cooker hoods extend when in use
and slide neatly away when not in operation.**

Key Information

- Electronic control
- Electronic control via TouchControl
- Saturation indicator for filter
- Efficient BLDC technology

Design

- 90 cm wide
- Brushed steel
- Telescopic hood
- Handle strip specification: BO-design with logo

Features

- TouchControl with lightline
- 3 power levels and 2 intensive settings
- Automatic intensive revert (6mins)
- Automatic after running (10 min)
- Additional noise reduction insulation
- Silence kit
- 2 x LED lights
- Softlight dimmer function
- Dimmer function
- Neutral white lights
- 3 metal grease filter cassettes
- Removable metal grease filters
- Steel filter cover

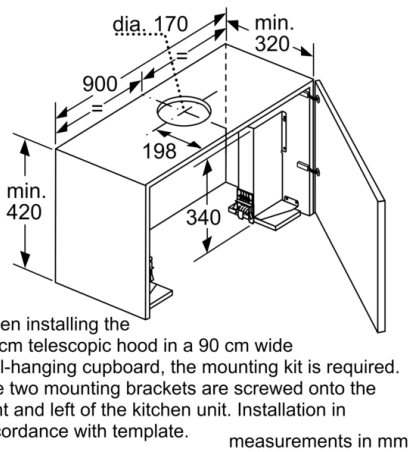
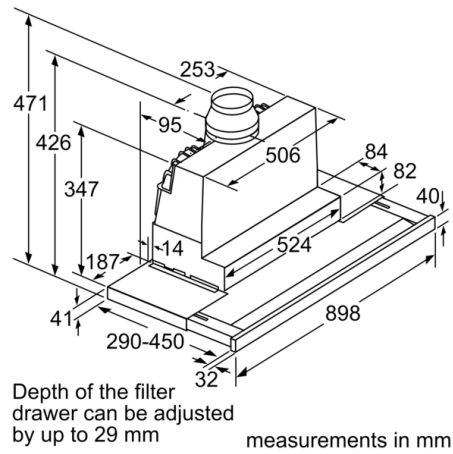
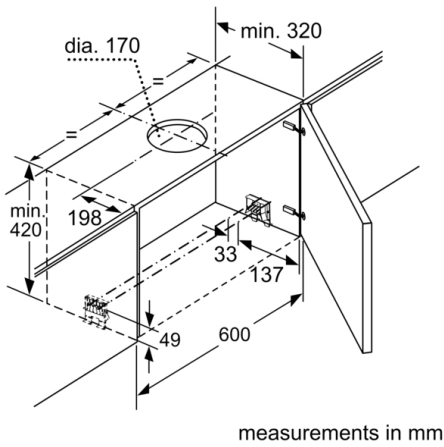
Performance/technical information

- Installation system: Telescopic comfort installat.
- Suitable for ducted or recirculating operation
- Extraction rate according to EN 61591 \varnothing 15 cm:
max. Normal use 394 m³/h
Intensive 708 m³/h
- Extraction rate exhaust air according to EN 61591:
max. normal use 394 m³/h, intensive 708 m³/h
- Power rating: 146 W
- Noise level according to EN 60704-3 and EN 60704-2-13
exhaust air:
Max. normal use: 56 dB(A) re 1 pW
Intensive: 68 dB(A) re 1 pW
- With the Clean Air Plus recirculation kit (available as optional
accessory) your appliances reaches:
Extraction rate in recirculation mode:
Max. normal use: 358 m³/h
Intensive: 628 m³/h
Noise level in recirculation mode:
Max. normal use: 60 dB(A) re 1 pW
Intensive: 71 dB(A) re 1 pW
- Noise max. Normal Level: 56 dB*
- Average Energy Consumption: 37.9 kWh/year*
- Energy Efficiency Class: B (at a range of energy efficiency
classes from A+++ to D)
- Blower Efficiency Class: B*
- Lighting Efficiency Class: A*
- Grease Filtering Efficiency Class: B*
- For installation into a 60cm or 90cm wide cupboard
- Dimensions (HxWxD): 426 x 898 x 290 mm
- Dimensions exhaust air (HxWxD): 426-426 x 898 x 290 mm
- Dimensions recirculating (HxWxD): 426-426 x 898 x 290 mm
- Built-in dimensions (HxWxD): 385 x 524 x 290 mm
- Diameter pipe \varnothing 150 mm (\varnothing 120 mm enclosed)
- Light Intensity: 601 lux
- Colour Temperature: 3500 K
- Touch Top BO EE

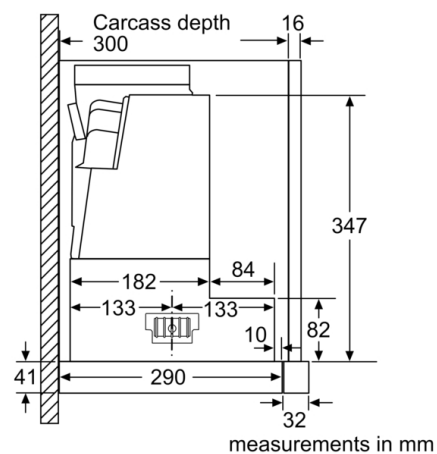
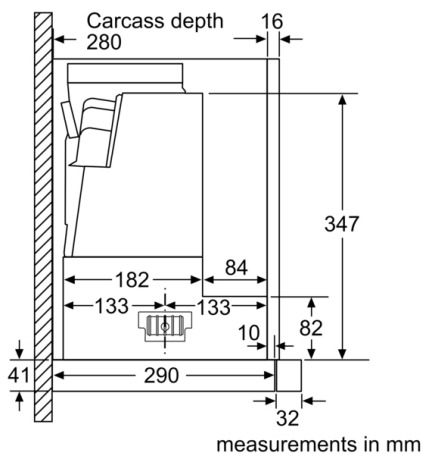
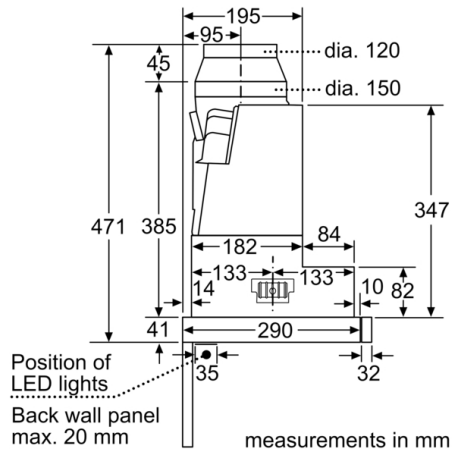
Accessories

- For recirculated extraction recirculating kit or CleanAir
recirculating kit (accessory) needed

**Serie | 8, telescopic cooker hood, 90 cm,
Stainless steel
DFS097J50B**



When installing the 90 cm telescopic hood in a 90 cm wide wall-hanging cupboard, the mounting kit is required. The two mounting brackets are screwed onto the right and left of the kitchen unit. Installation in accordance with template.



**Serie | 8, telescopic cooker hood, 90 cm,
Stainless steel
DFS097J50B**

