

**Series 8, Combi-steam oven, 60 x 45 cm, Stainless steel  
CSG656BS7B**



1 x grid, 1 x universal pan, punched, size XL, 1 x steam container, unpunched, size S

HEZ617000 Pizza pan, enamelled, HEZ625071 Grill tray, anthracite, HEZ631070 Baking tray, enamelled, HEZ632070 Multipurpose pan, enamelled, HEZ636000 Glass pan, HEZ638D18 1 telescopic rail, full ext, 45cm, steam, HEZ660050 Cover Strip, HEZ660060 Strip, HEZ664000 Baking and roasting grid (steam), HEZ915003 Glass roasting dish, 5,4 L, HEZ36D163 Steam container, unpunched, size S, HEZ36D163G Steam container, punched, size S, HEZ530000 Half tray, HEZ531010 Baking tray, non-stick ceramic coated, HEZ532010 Universal pan, non-stick ceramic coated

**The compact steam oven with hot air function: lets you combine gentle cooking with the power of hot air.**

- **Steam function:** for gentle, healthy food preparation.
- **Added Steam:** your foods turn out crispy on the outside and juicy on the inside.
- **4D Hotair:** even heat distribution for perfect results.
- **TFT touchdisplay:** clearly shows text and images, for easy and intuitive oven control.
- **EcoClean Direct:** easy cleaning thanks to a coating that breaks down grease while you bake.

Built-in / Free-standing: ..... Built-in  
 Door opening: ..... Drop down  
 Min. required niche size for installation (HxWxD): 450-455 x 560-568 x 550 mm  
 Dimensions: ..... 455 x 594 x 548 mm  
 Dimensions of the packed product (HxWxD): ..... 530 x 660 x 690 mm  
 Control Panel Material: ..... Stainless steel  
 Door Material: ..... Glass  
 Net weight: ..... 33.8 kg  
 Length electrical supply cord: ..... 150.0 cm  
 EAN code: ..... 4242005125920  
 Fuse protection: ..... 16 A  
 Voltage: ..... 220-240 V  
 Frequency: ..... 50; 60 Hz  
 Plug type: ..... no plug (electrical connection by electrician)  
 Number of cavities (2010/30/EC): ..... 1  
 Usable volume (of cavity) - NEW (2010/30/EC): ..... 47 l  
 Energy efficiency rating: ..... A+  
 Energy consumption per cycle conventional (2010/30/EC): ..... 0.73 kWh/cycle  
 Energy consumption per cycle forced air convection (2010/30/EC): 0.61 kWh/cycle  
 Energy efficiency index (2010/30/EC): ..... 81.3 %  
 Included accessories: ..... 1 x grid, 1 x universal pan, 1 x steam container, punched, size S, 1 x steam container, punched, size XL, 1 x steam container, unpunched, size S



## **Series 8, Combi-steam oven, 60 x 45 cm, Stainless steel CSG656BS7B**

**The compact steam oven with hot air function: lets you combine gentle cooking with the power of hot air.**

- 150 cm Cable Cable length
- Nominal voltage: 220 - 240 V
- Appliance dimension (hwxwd): 455 mm x 594 mm x 548 mm
- Please refer to the dimensions provided in the installation manual

### **Design**

- 3x 2,5"-TFT colour and graphics display with direct touch function
- Bosch control wheel
- Drop down door, SoftClose, SoftOpen
- 3 shelf positions
- Straight bar handle

### **Features**

- Home Connect ready
- Digital temperature display with proposal
- Actual temperature display Heating-up indicator
- Control panel lock
- Automatic safety switch off Residual heat indicator Start button Door contact switch
- Location of water tank: Outside cavity
- BoschAssist
- Electronic clock timer
- LED light, Light on/off when oven door opened/closed
- Water tank empty indicator
- Integral cooling fan

### **Cleaning**

- EcoCleanDirect : ceiling, back panel, side liners
- EcoClean Direct programme
- Full glass inner door

### **Programmes/functions**

- Compact steam oven with 12 main functions heating methods: 4D Hotair, Hotair Gentle, conventional top and bottom heat, conventional heat Gentle, Hotair grilling, full width variable grill, half width grill, pizza function, bottom heat, low temperature cooking, plate warming, keep warm
- Additional functions:
- Descaling programme
- Drying function autom. boiling point detection

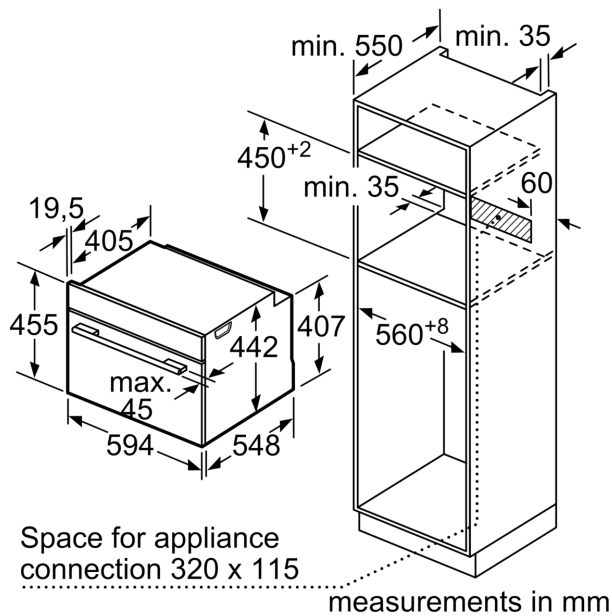
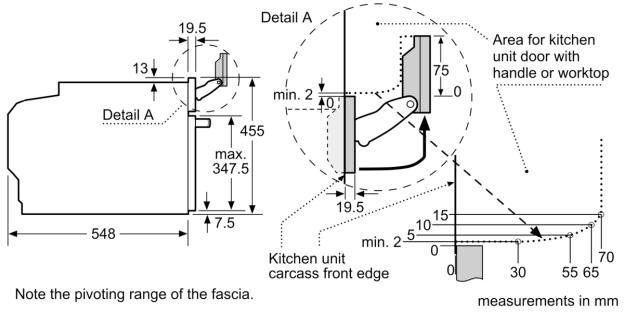
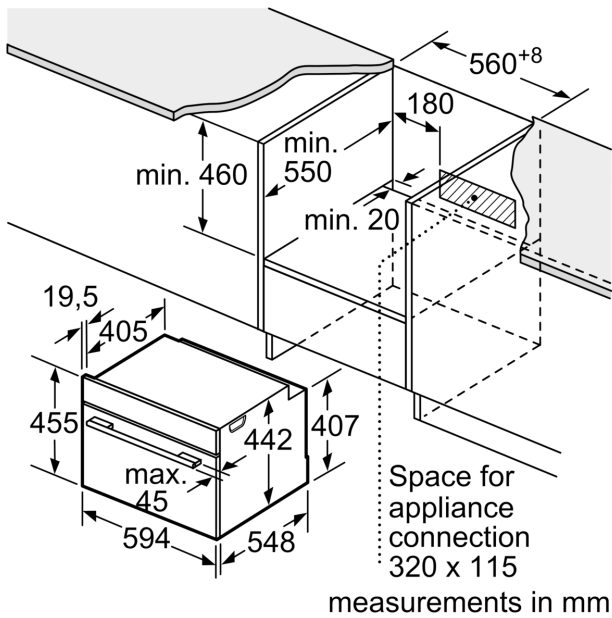
### **Accessories**

- Fast pre-heating function
- 1 x steam container, punched, size S, 1 x steam container, punched, size XL, 1 x steam container, unpunched, size S, 1 x grid, 1 x universal pan

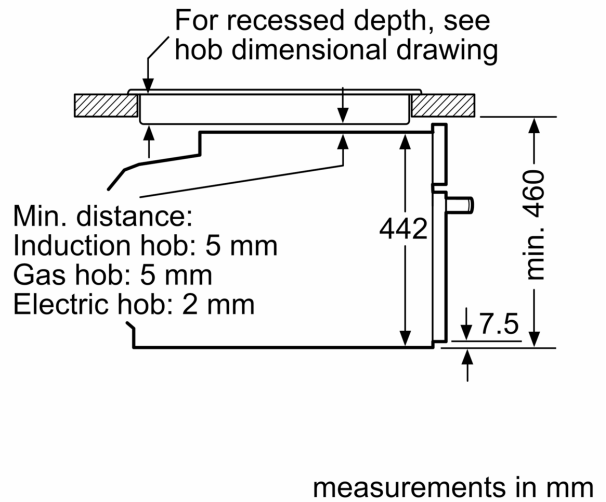
### **Performance/technical information**

- Energy efficiency rating (acc. EU Nr. 65/2014): A+
- Energy consumption per cycle in conventional mode:0.73 kWh
- Energy consumption per cycle in fan-forced convection mode:0.61 kWh
- Number of cavities: Main cavity Heat source: electrical Cavity volume:47 litre capacity
- Temperature range 30 °C - 250 °C
- 1 l Water tank

**Series 8, Combi-steam oven, 60 x 45 cm, Stainless steel  
CSG656BS7B**



**Installation with a hob.**



If the compact appliance will be installed underneath a hob, the following worktop thicknesses (including substructure if necessary) must be taken into account.

<b>Hob type</b>	<b>min. worktop thickness</b>	
	fitted	flush
Induction hob	42 mm	43 mm
Full surface Induction hob	52 mm	53 mm
Gas hob	32 mm	43 mm
Electric hob	32 mm	35 mm